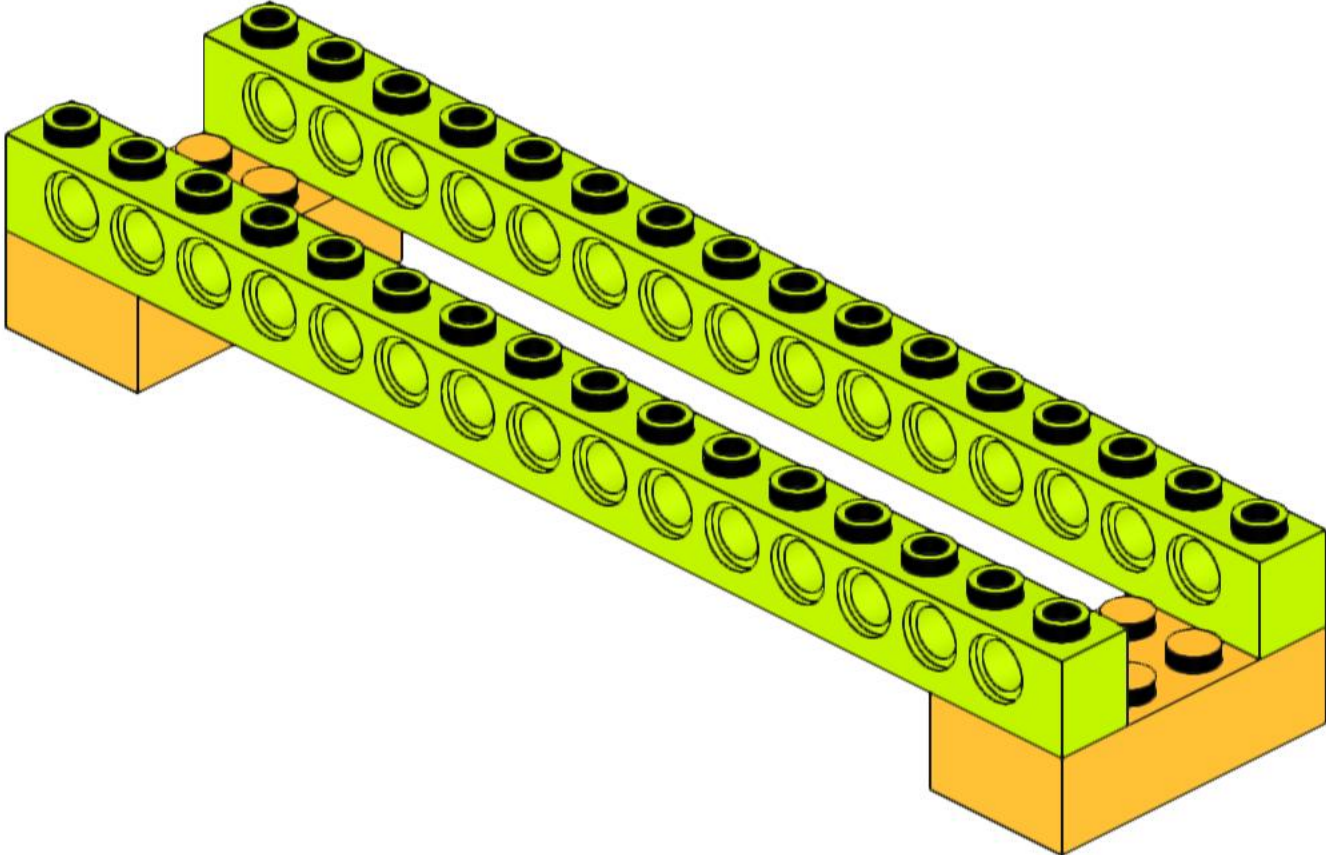
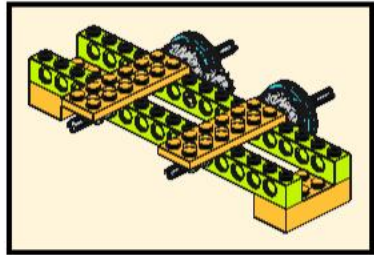
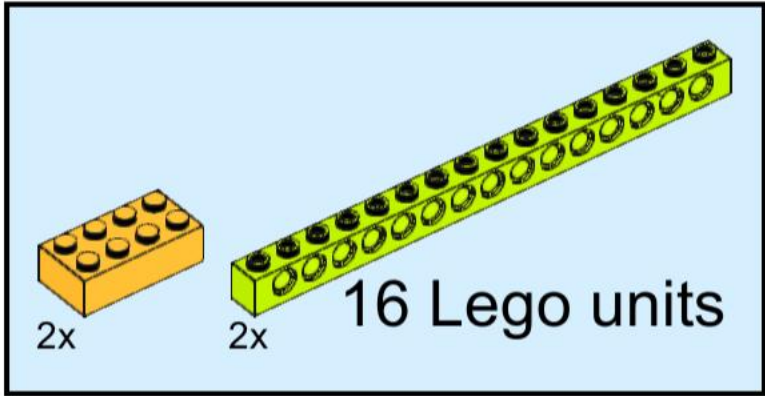
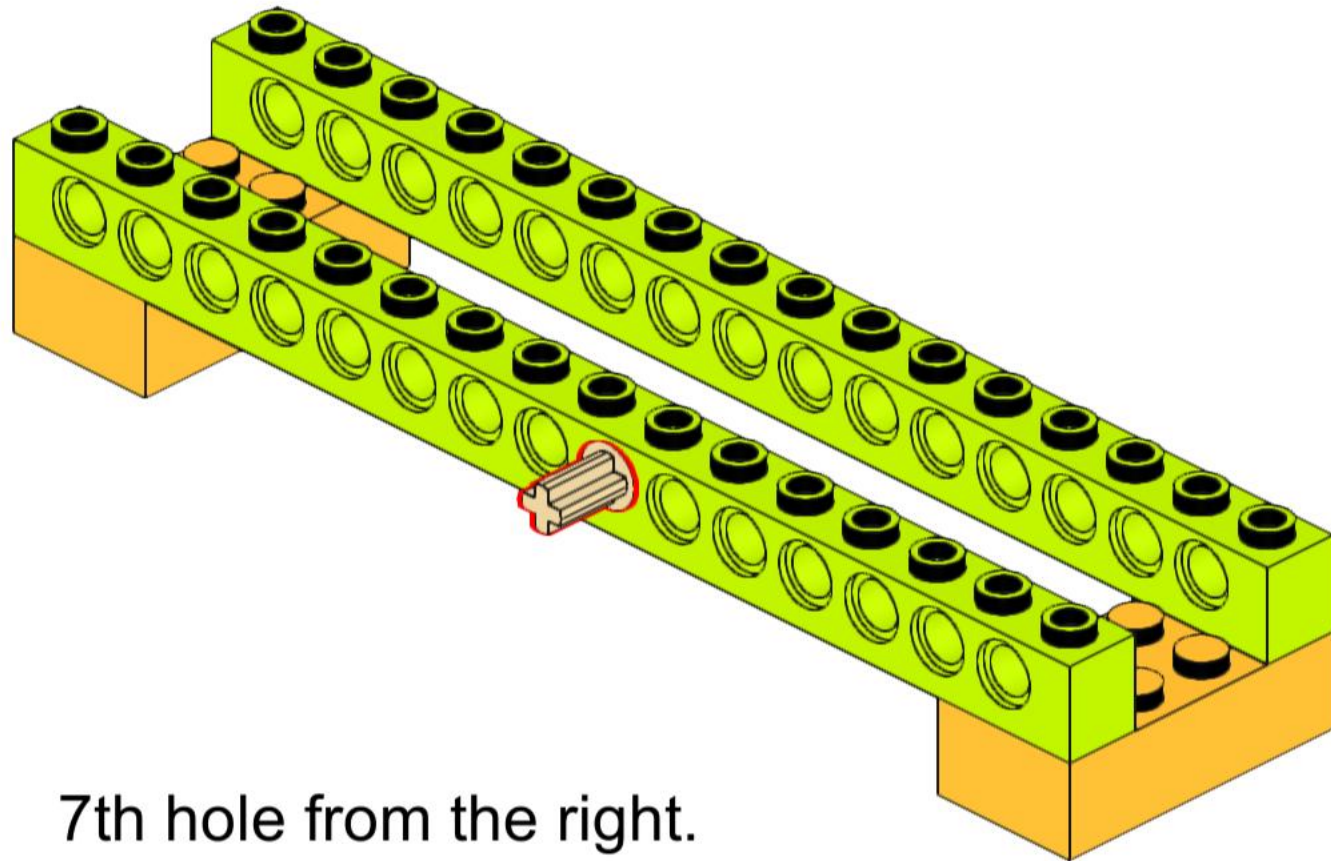
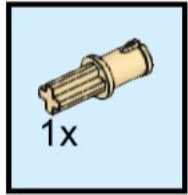


1

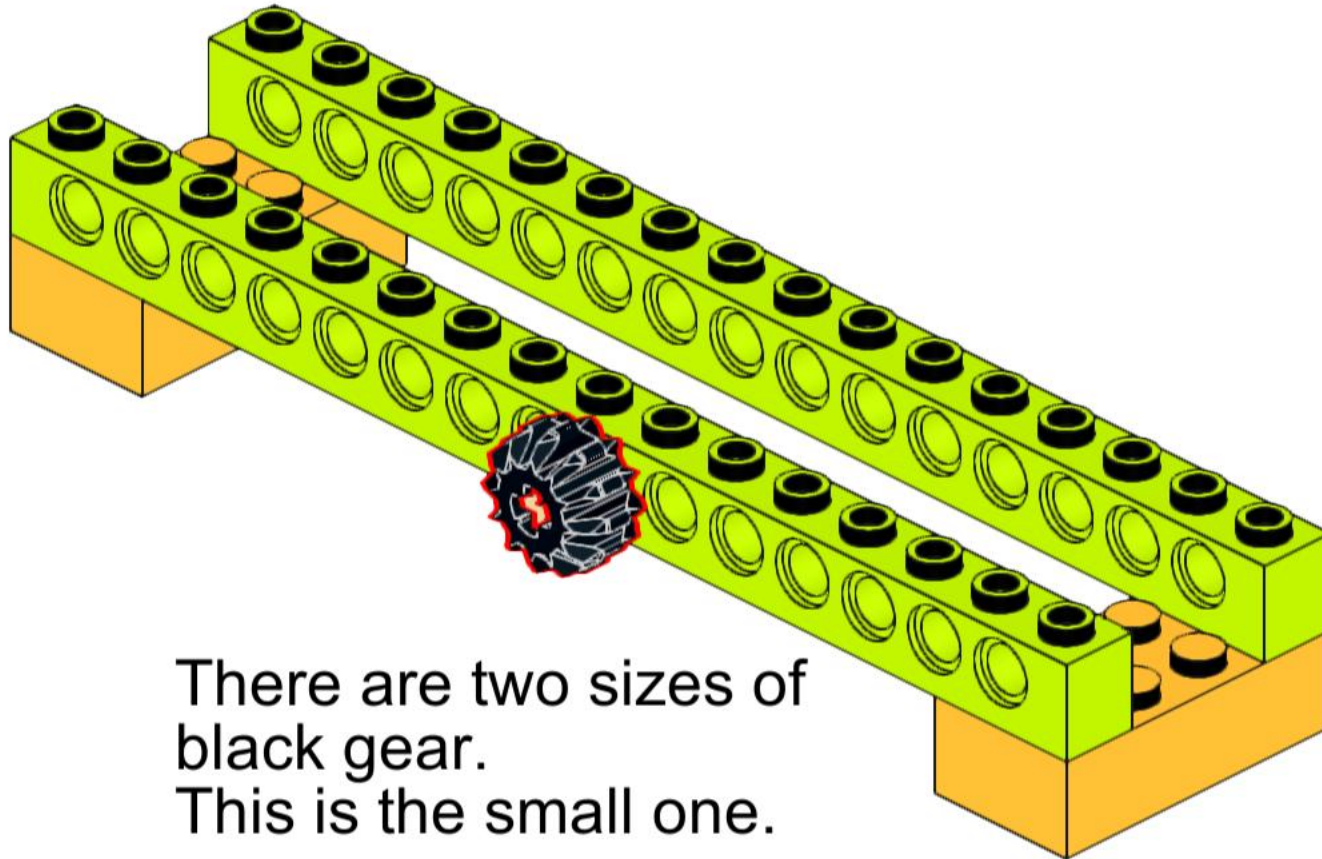


2



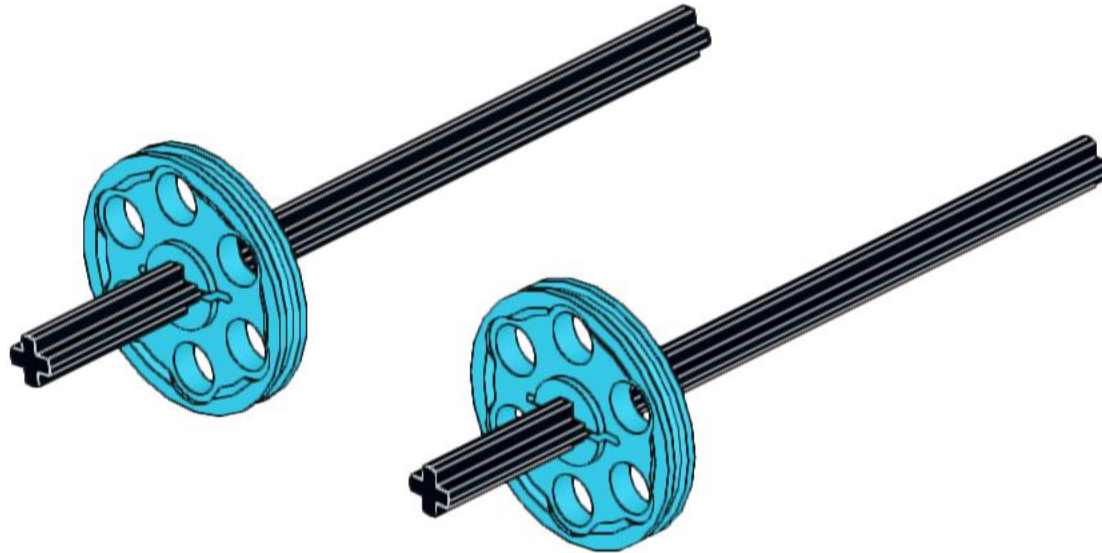
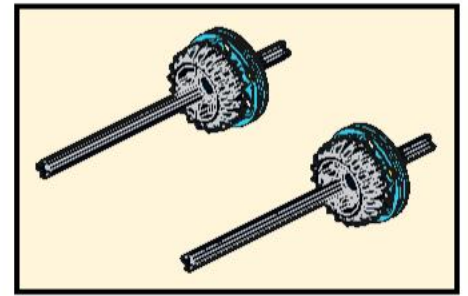
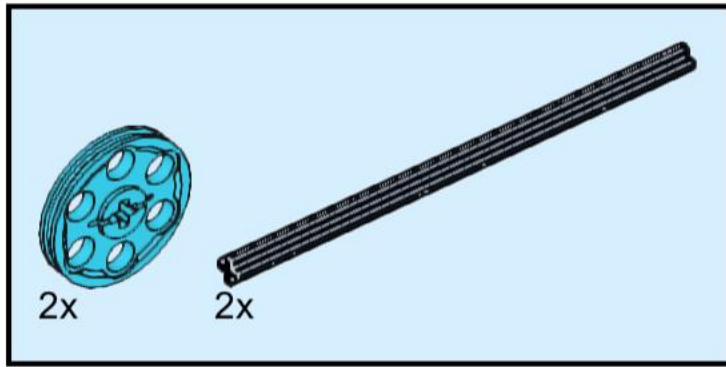
7th hole from the right.

3

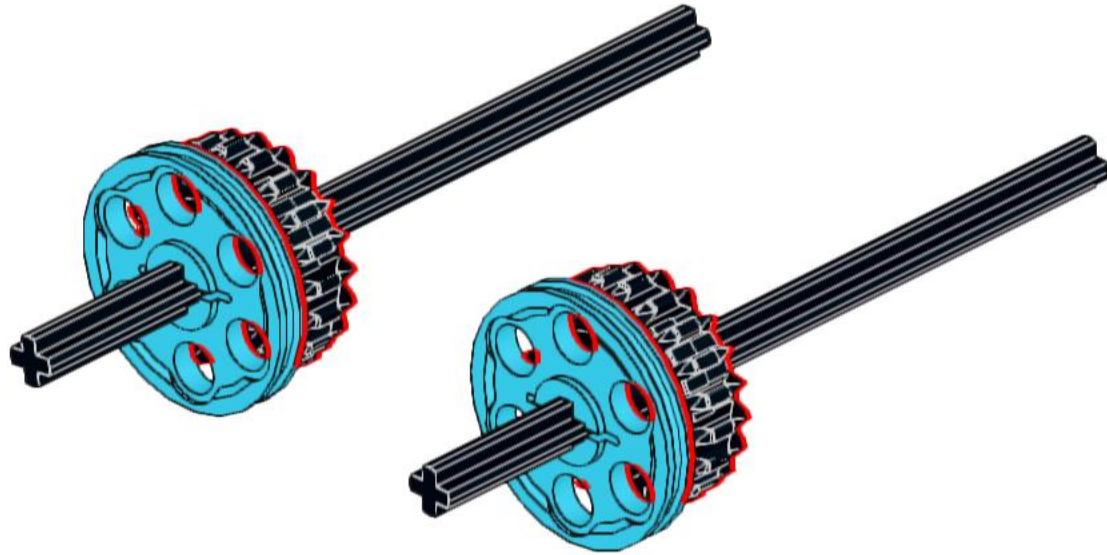


There are two sizes of  
black gear.  
This is the small one.

4

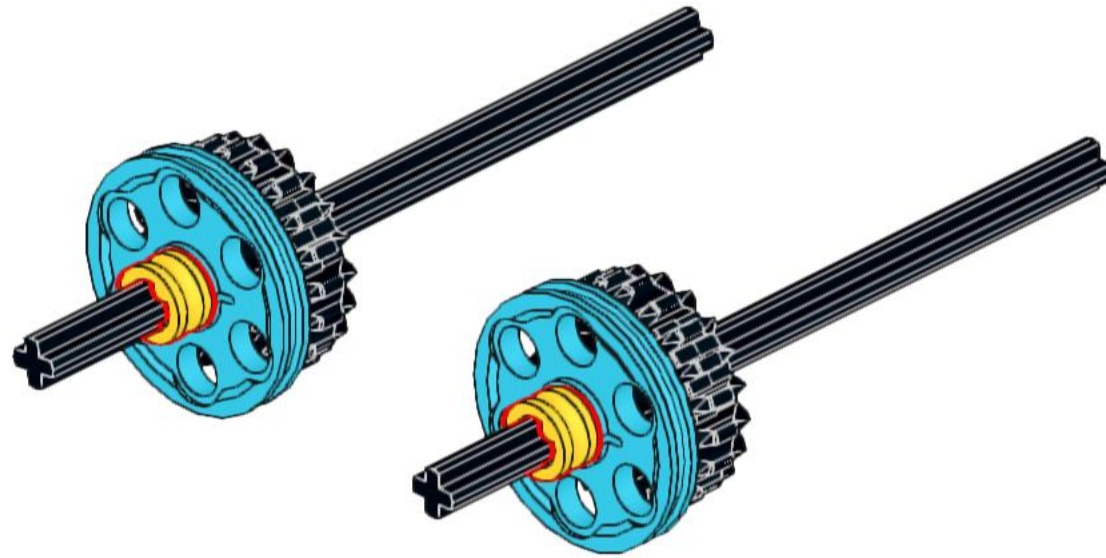


5

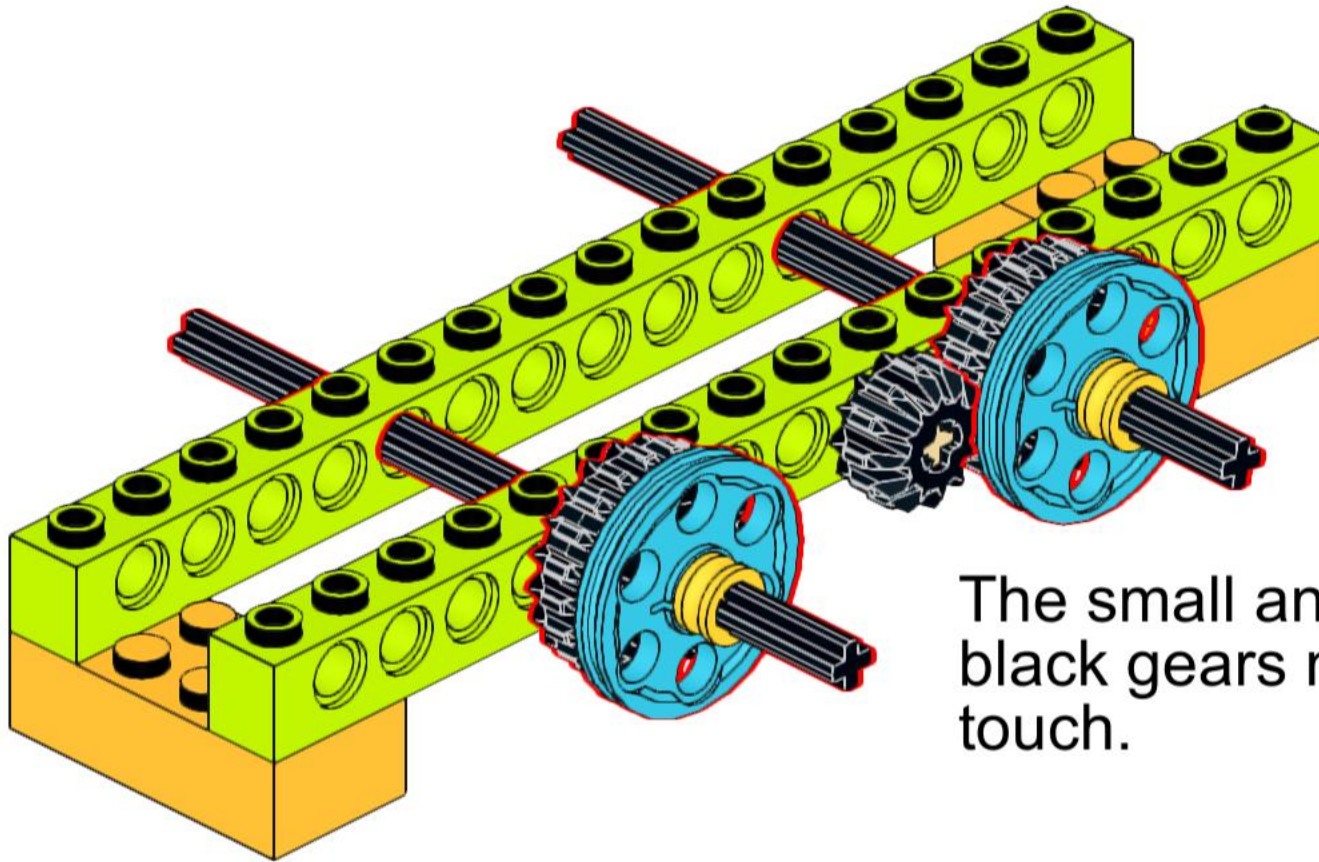




6

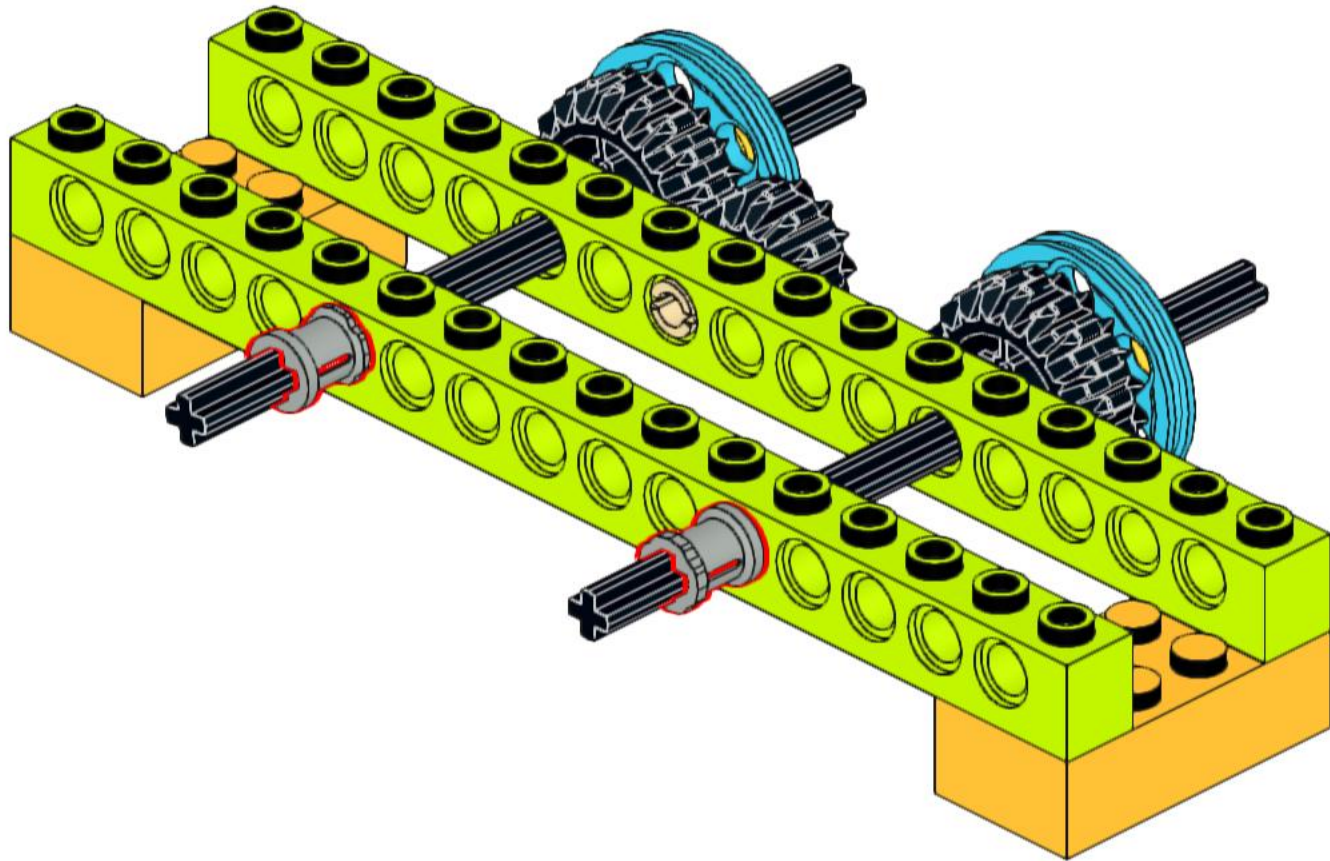
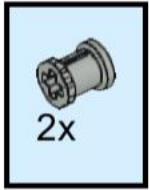


7



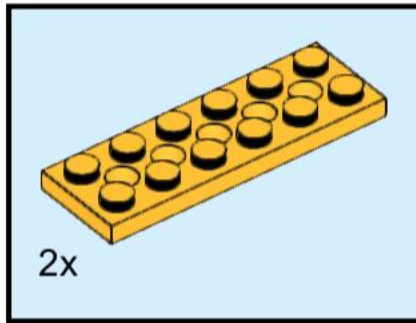
The small and large black gears must touch.

8

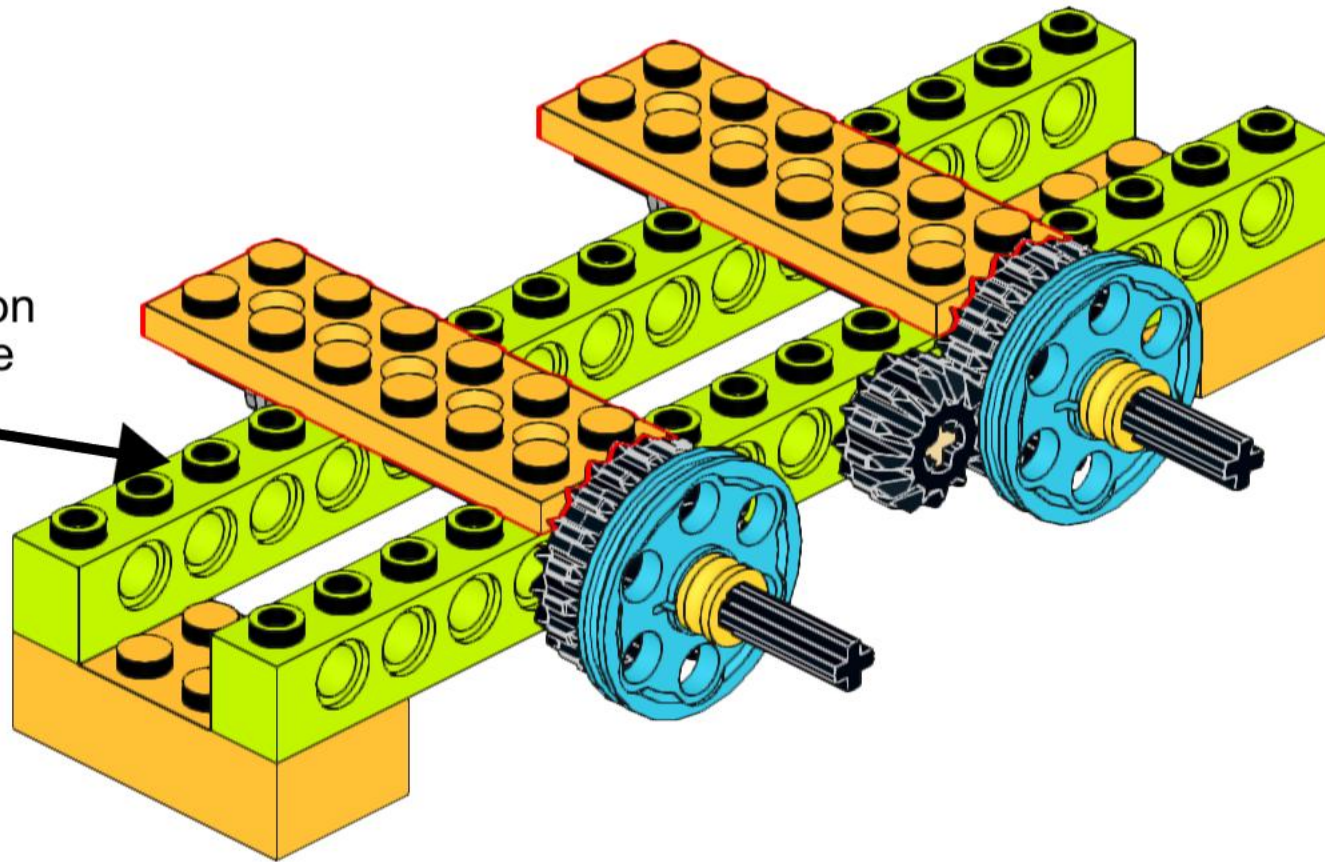




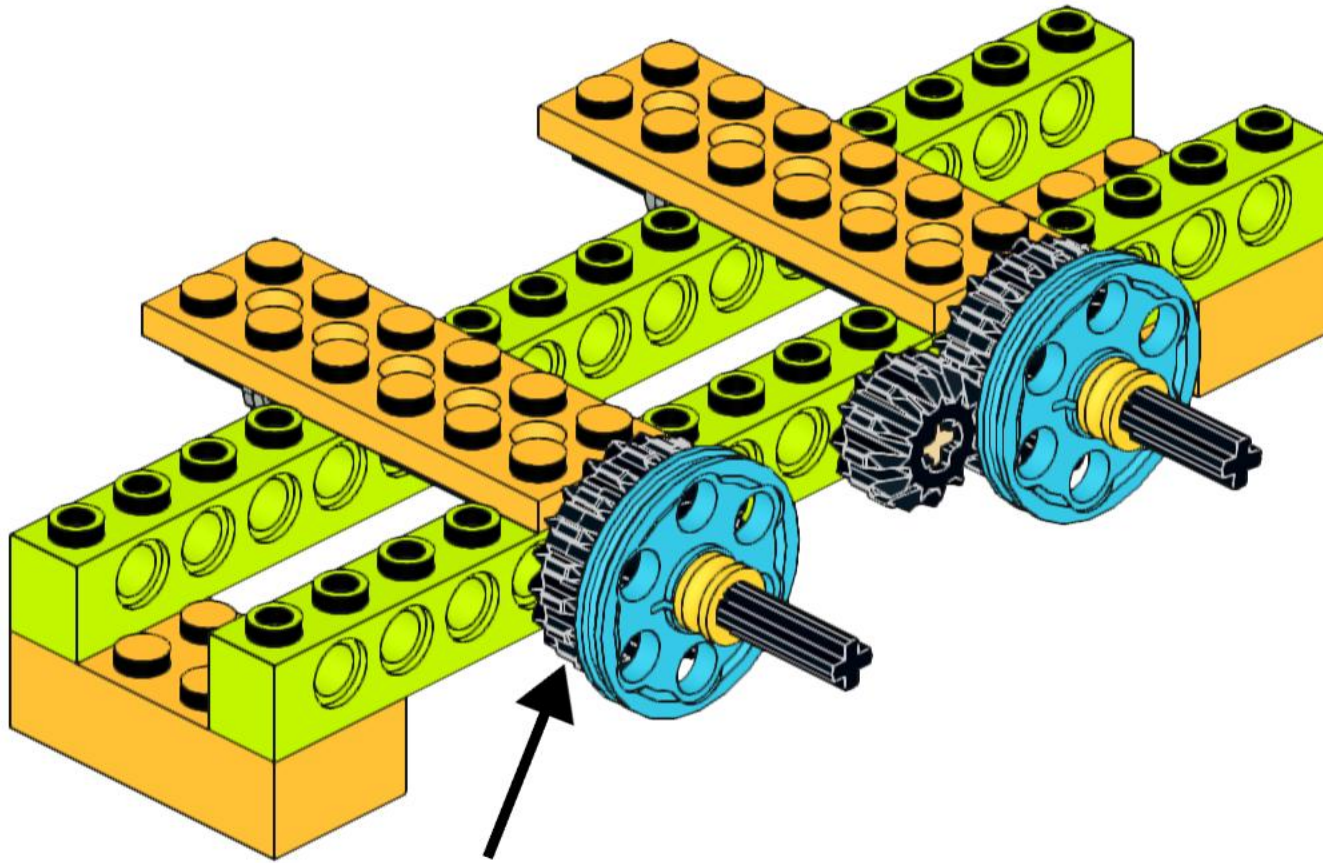
9



4 free bumps on the sides of the yellows.

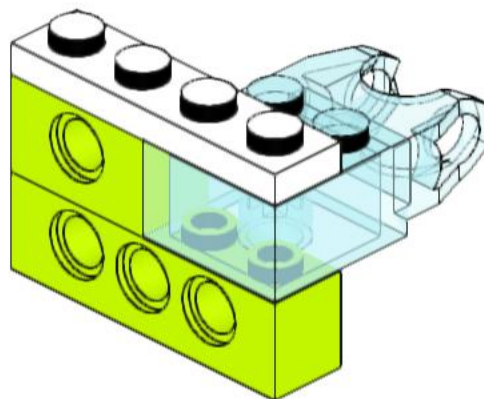
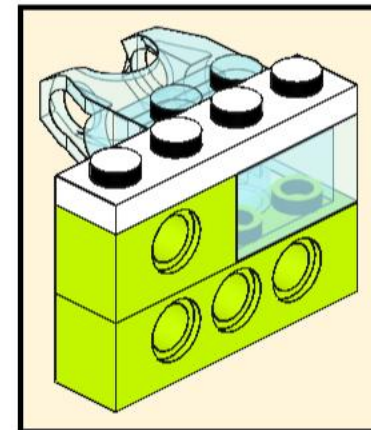
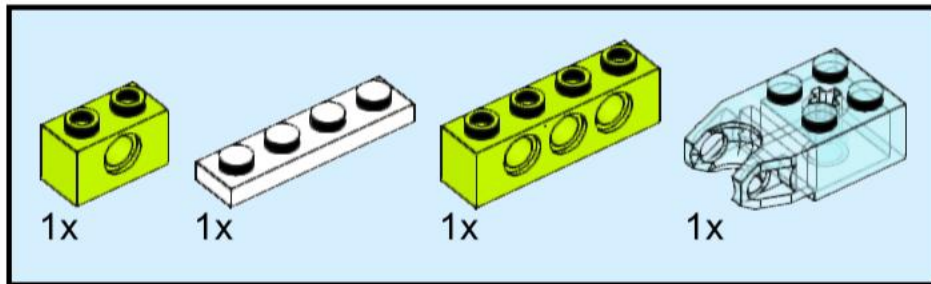


# 10

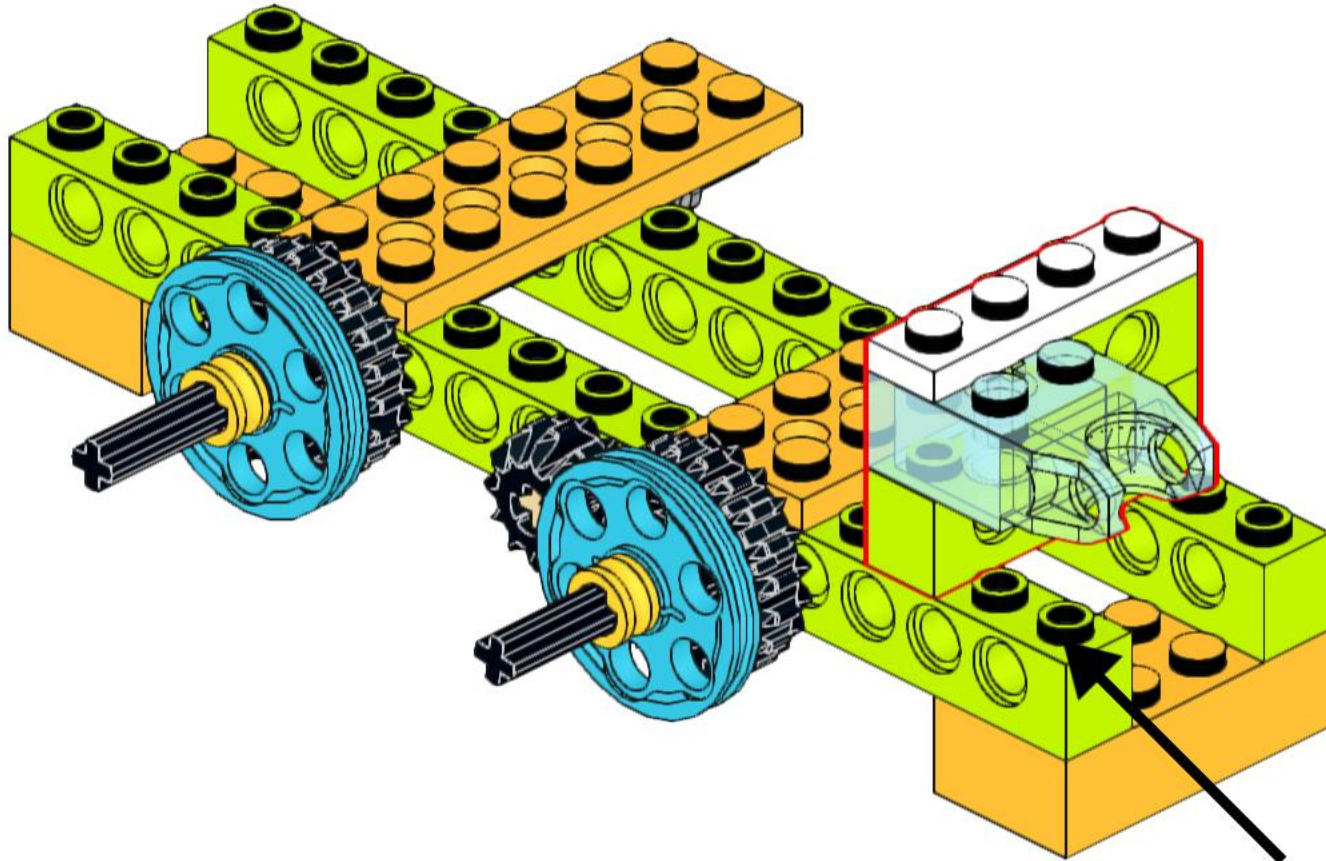


If you are starting at this step, you might have to add this large black gear.

# 11



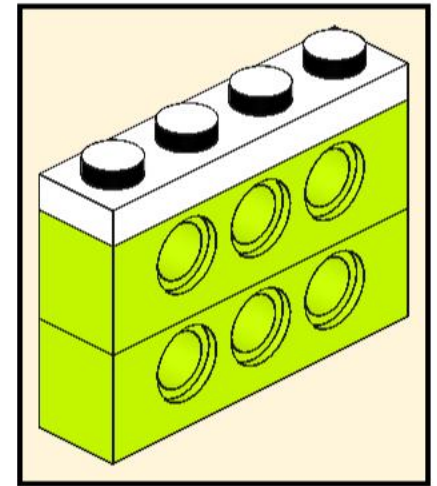
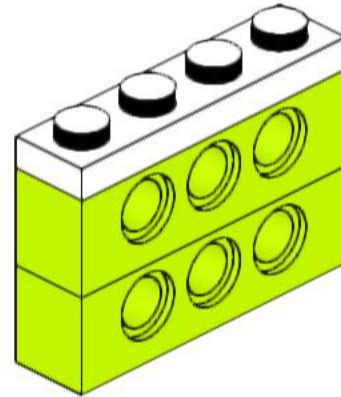
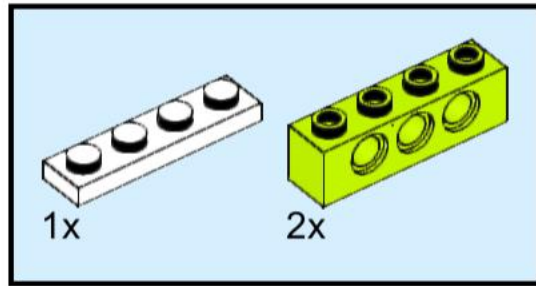
# 12



Leave two free bumps.

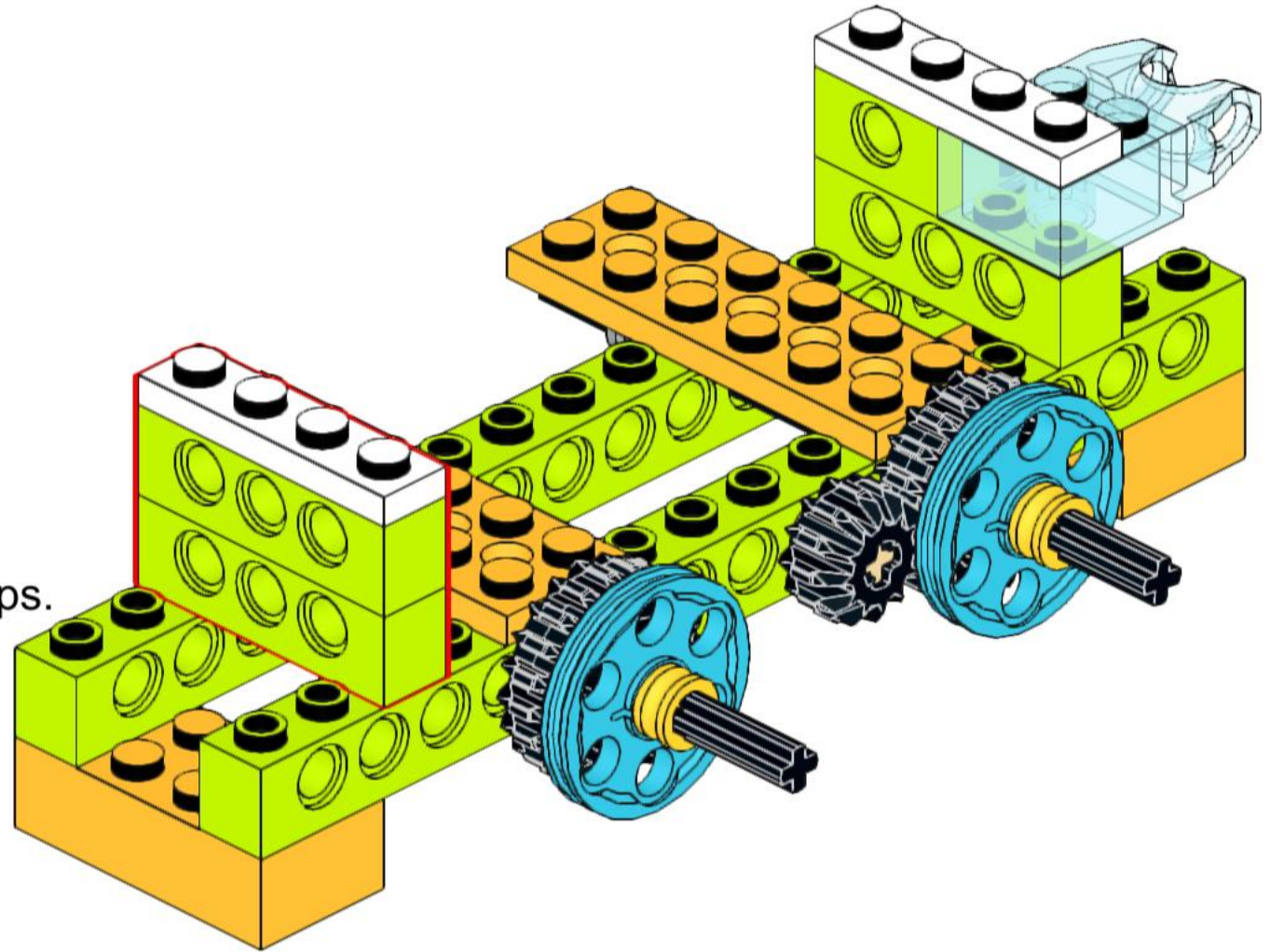


# 13

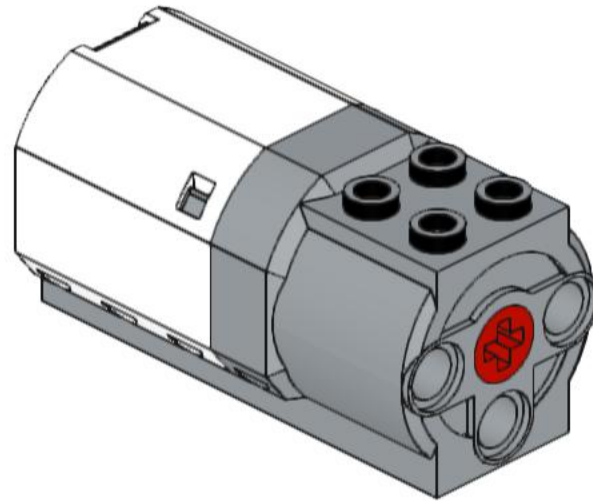
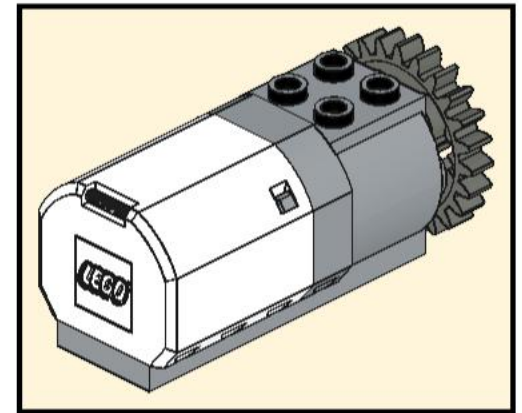
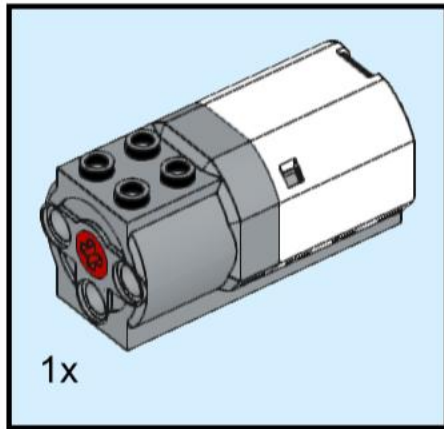


# 14

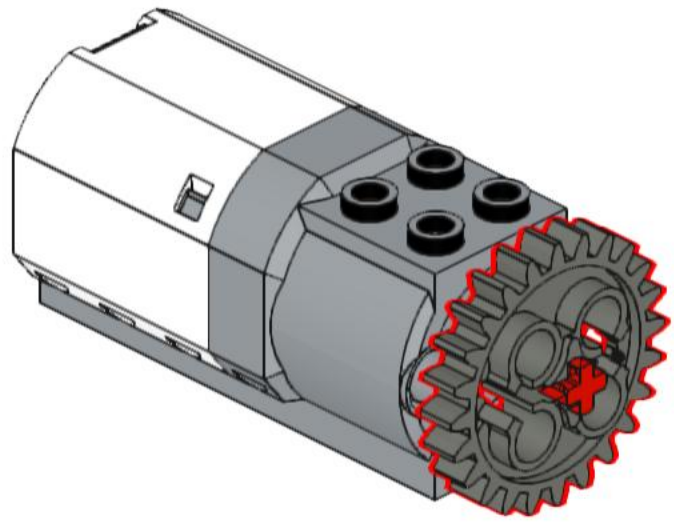
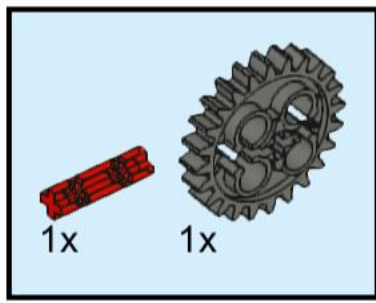
Leave two free bumps.



# 15



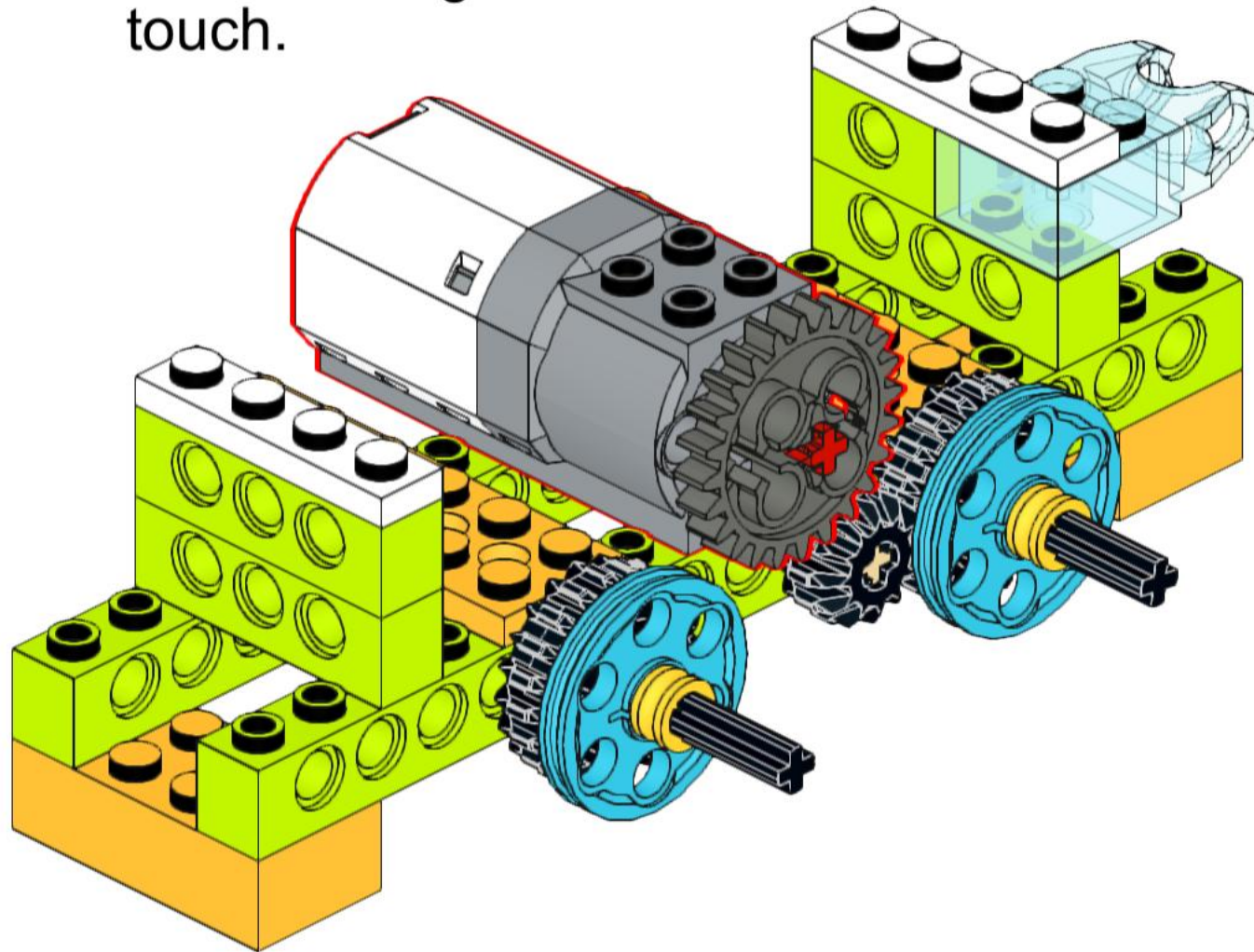
# 16



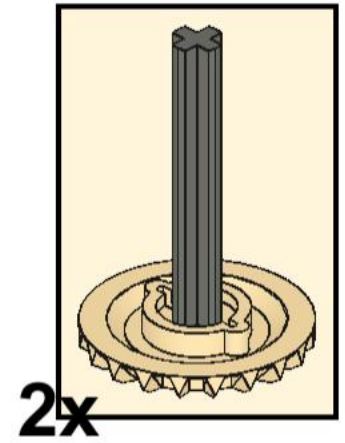
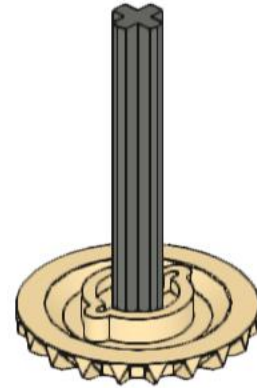
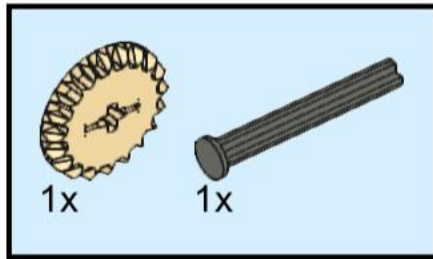


# 17

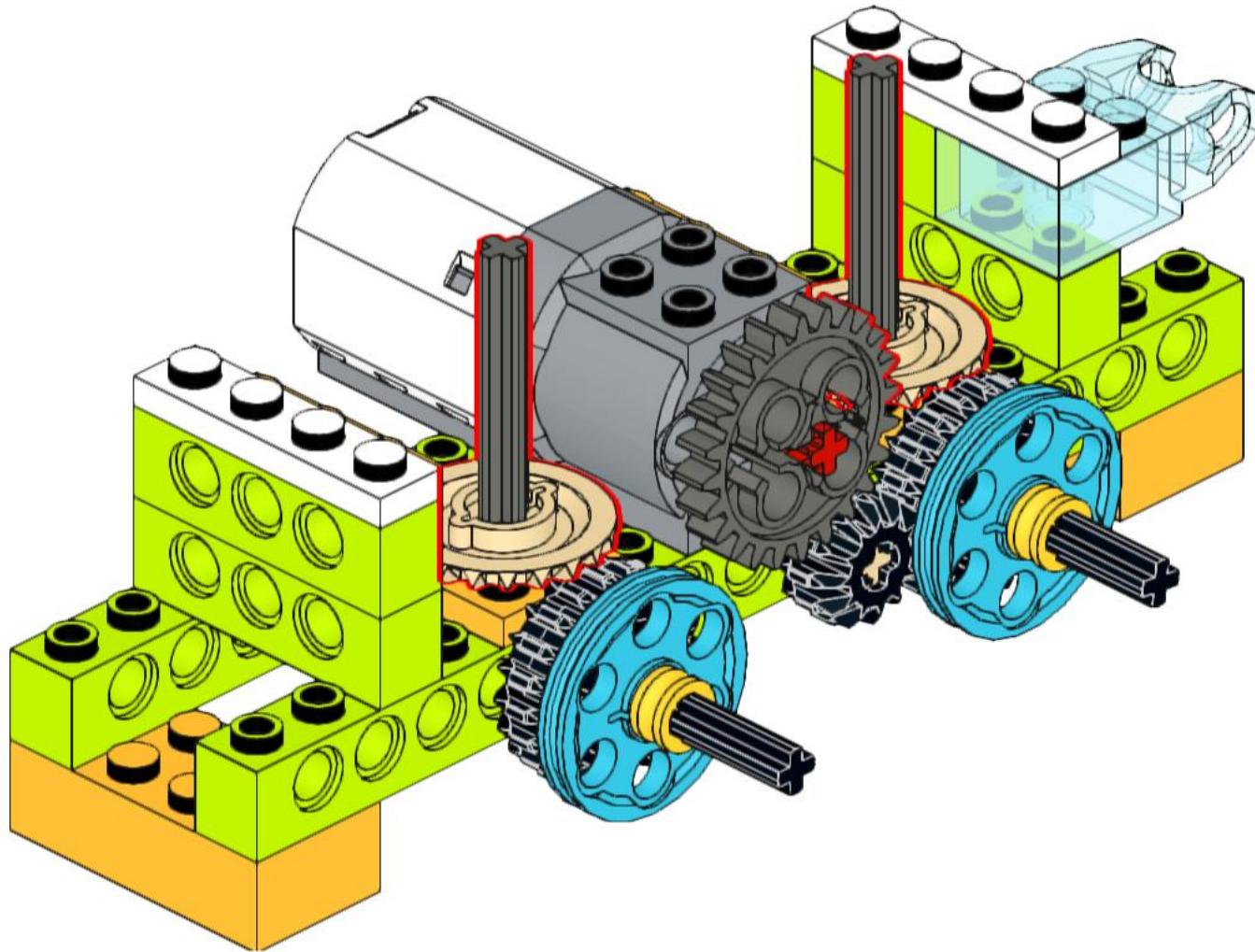
Gray gear and the  
small black gear must  
touch.



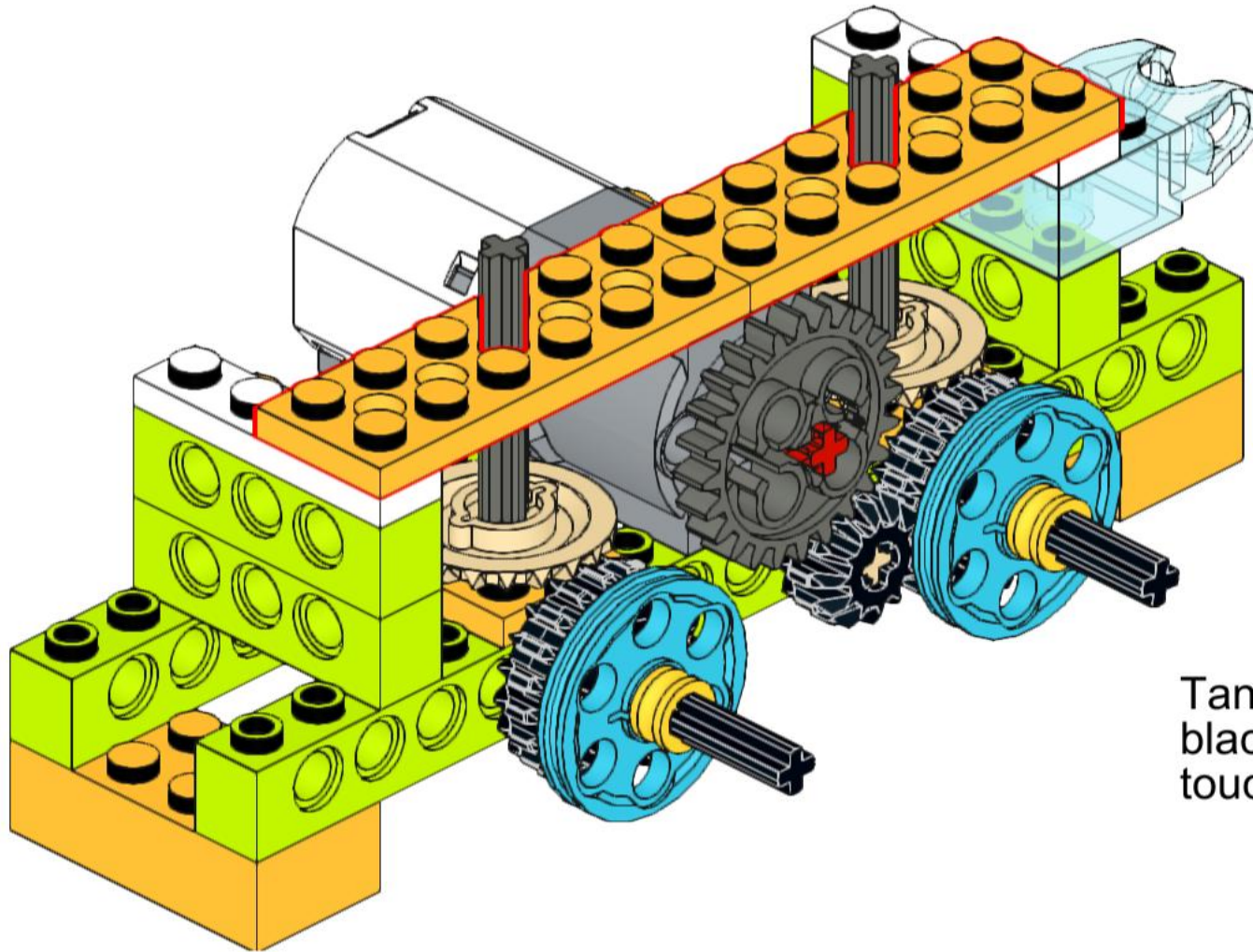
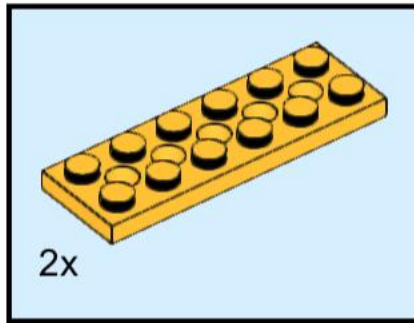
# 18



# 19



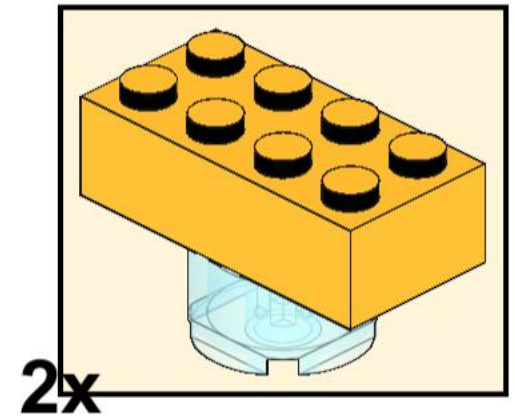
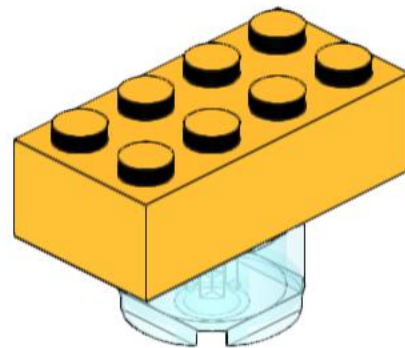
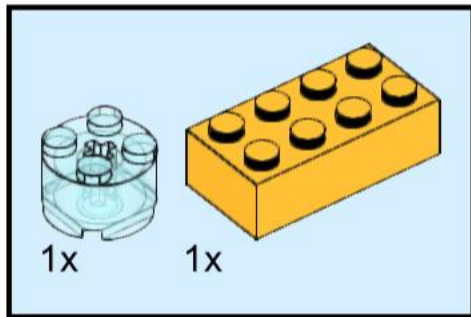
# 20



Tan gears and large black gears must touch.

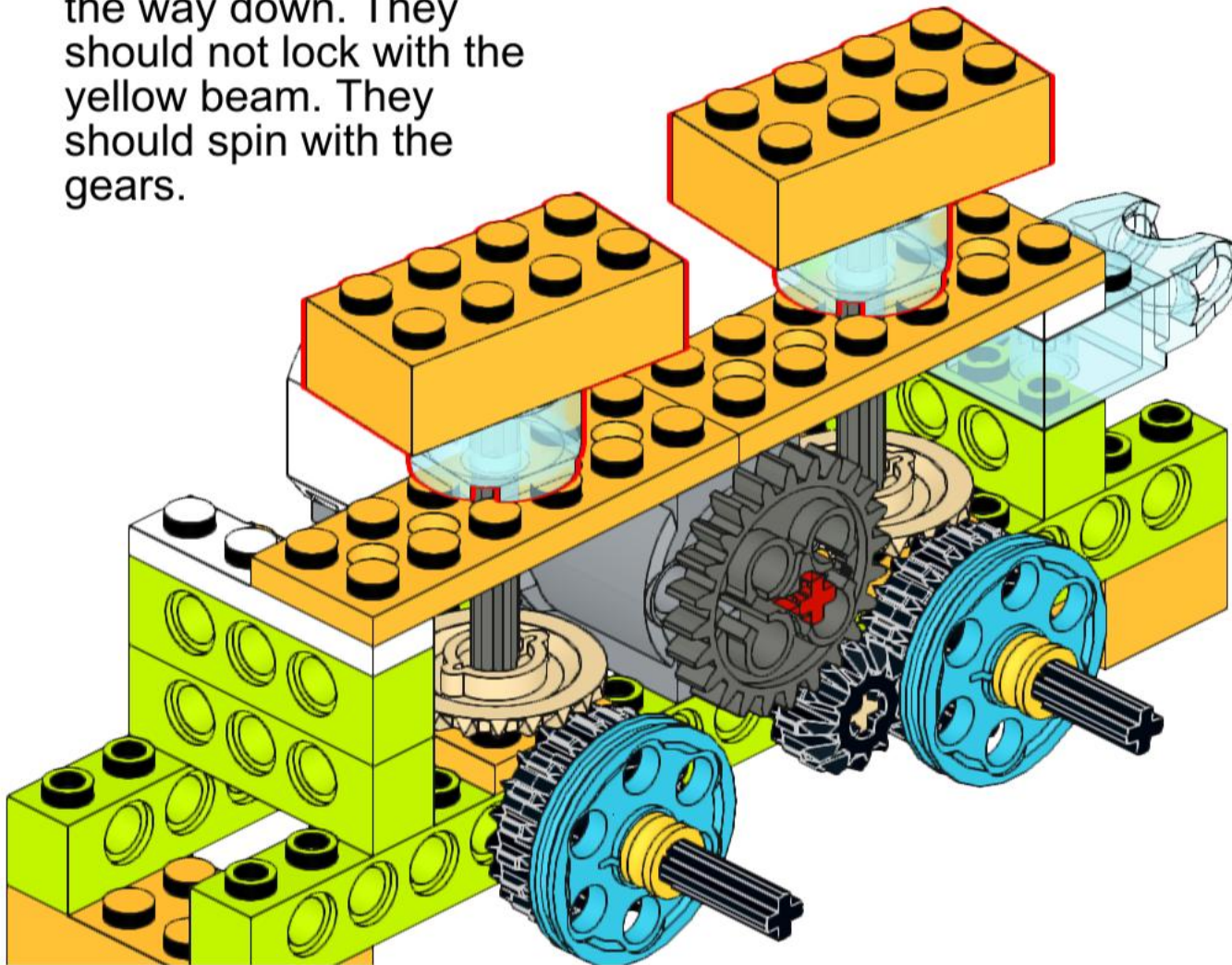


# 21

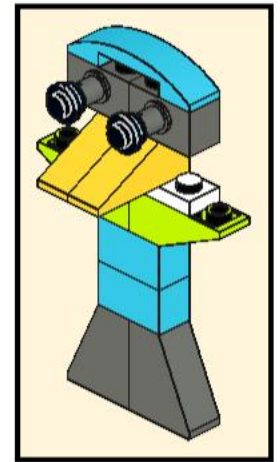
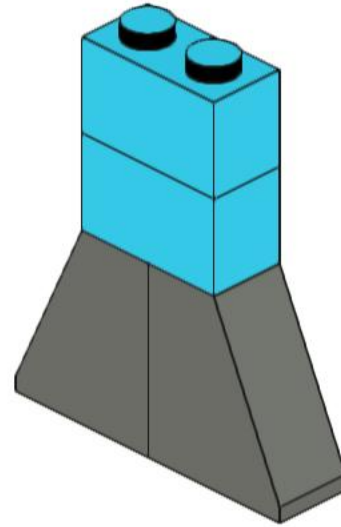
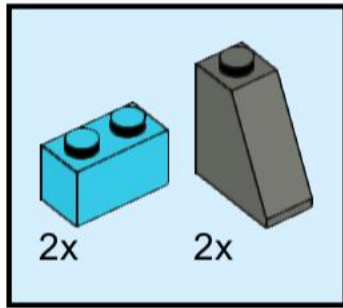


# 22

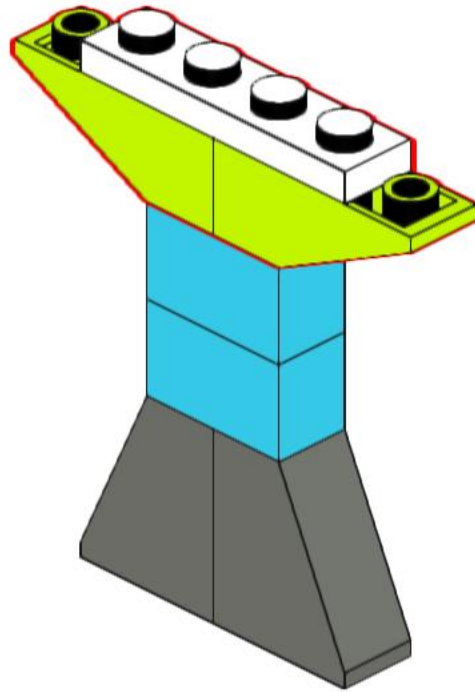
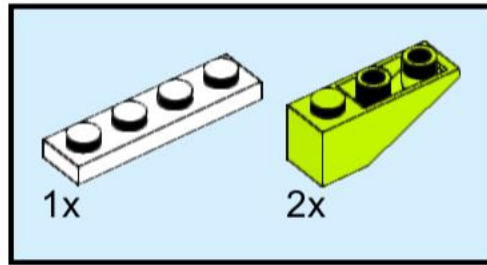
Do NOT push these all the way down. They should not lock with the yellow beam. They should spin with the gears.



# 23

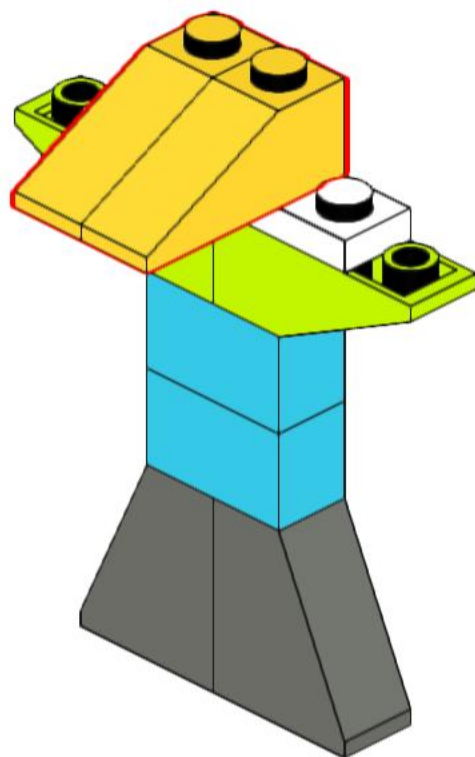
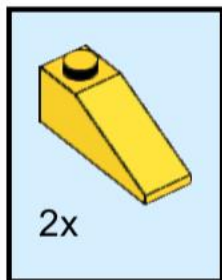


# 24

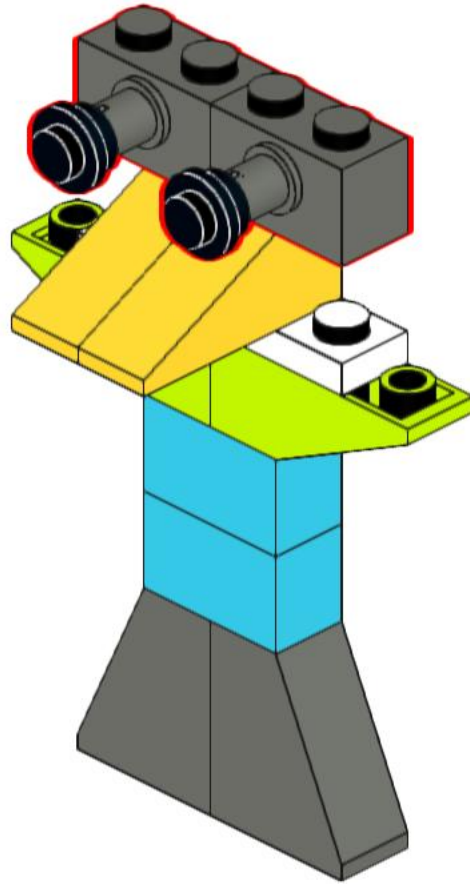
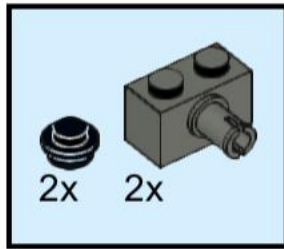




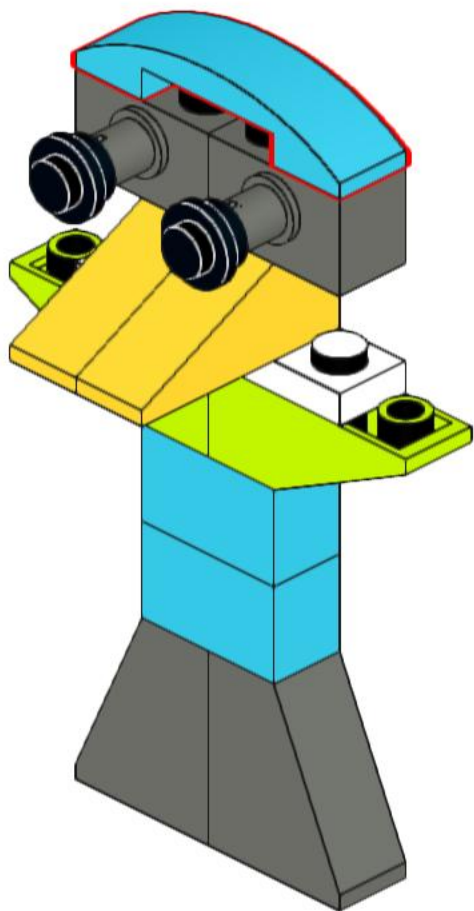
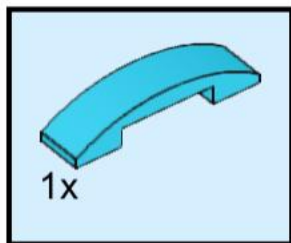
25



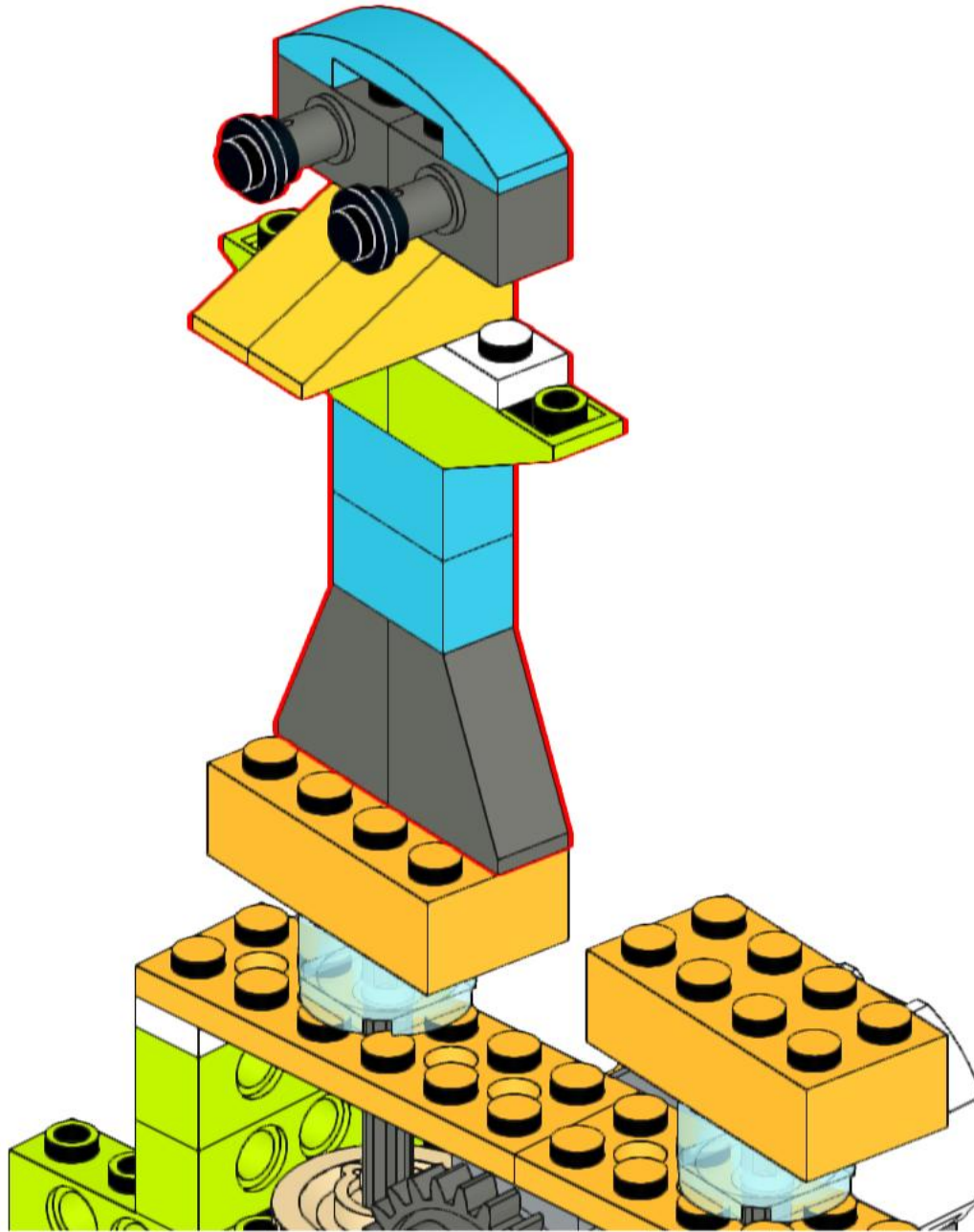
# 26



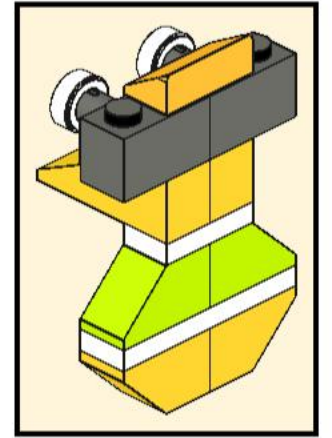
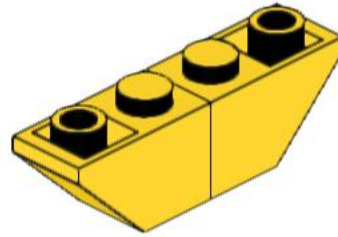
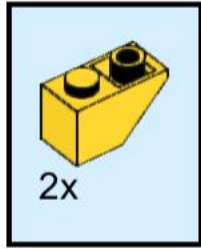
27



28

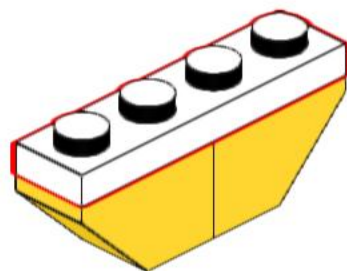
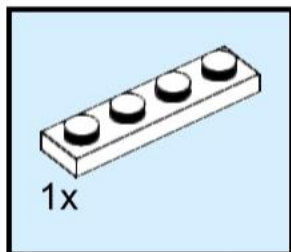


# 29

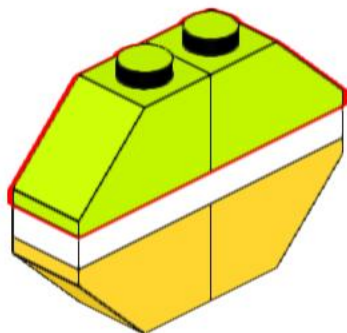
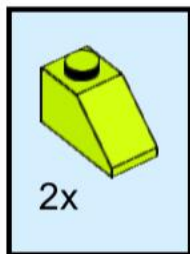




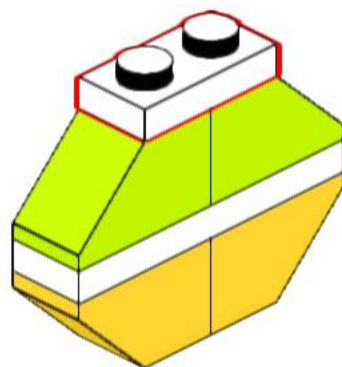
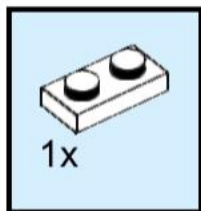
# 30



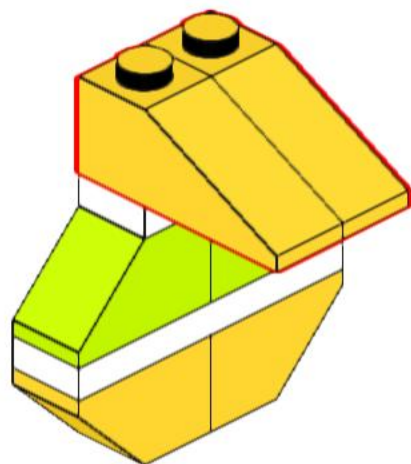
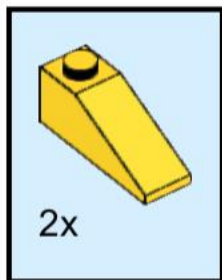
31



32

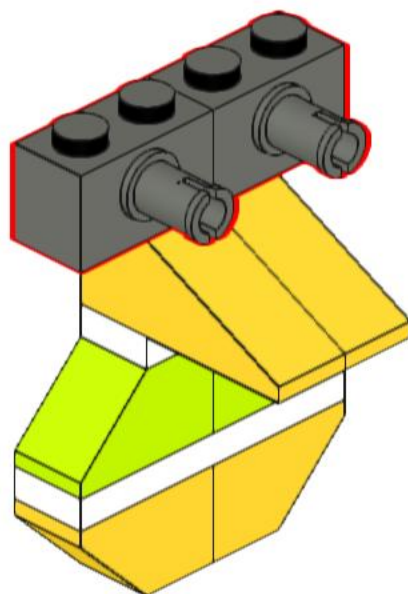
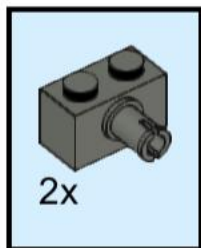


33

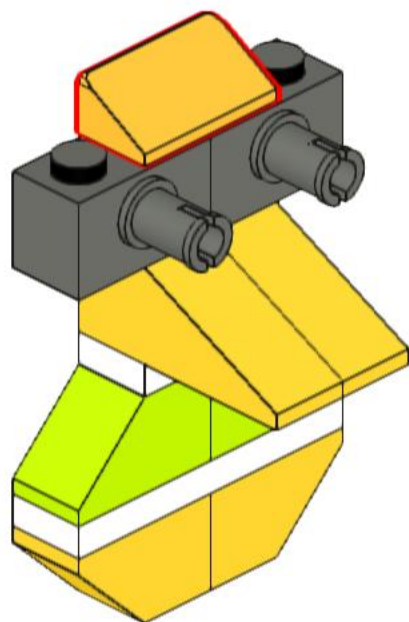
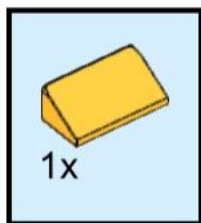




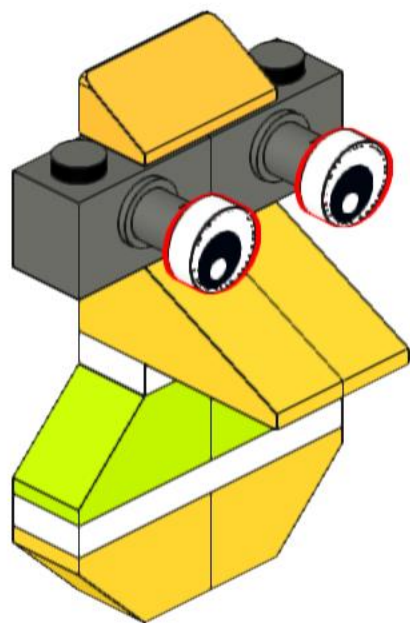
# 34



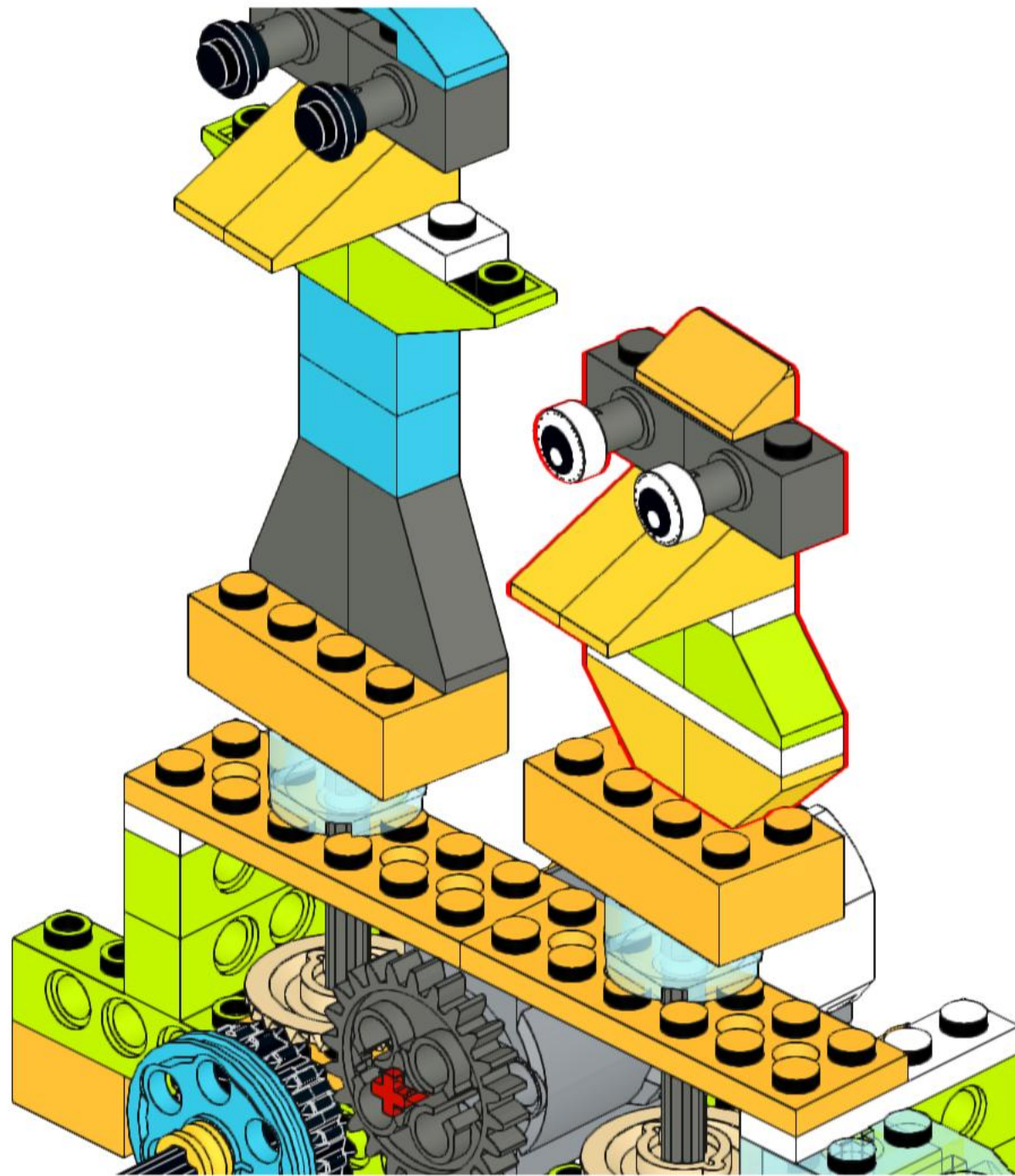
35



36

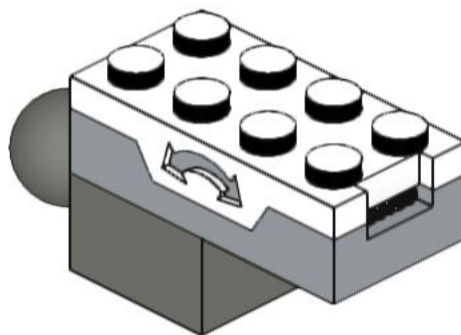
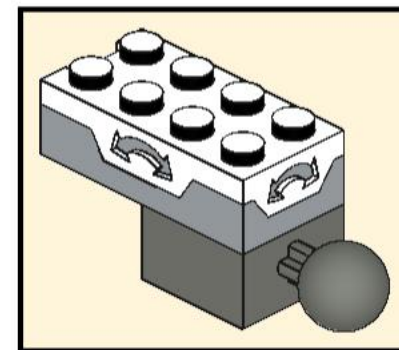
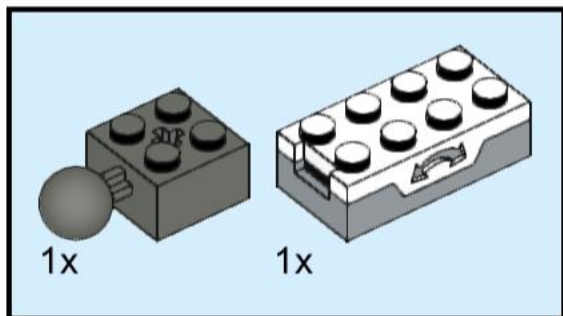


37

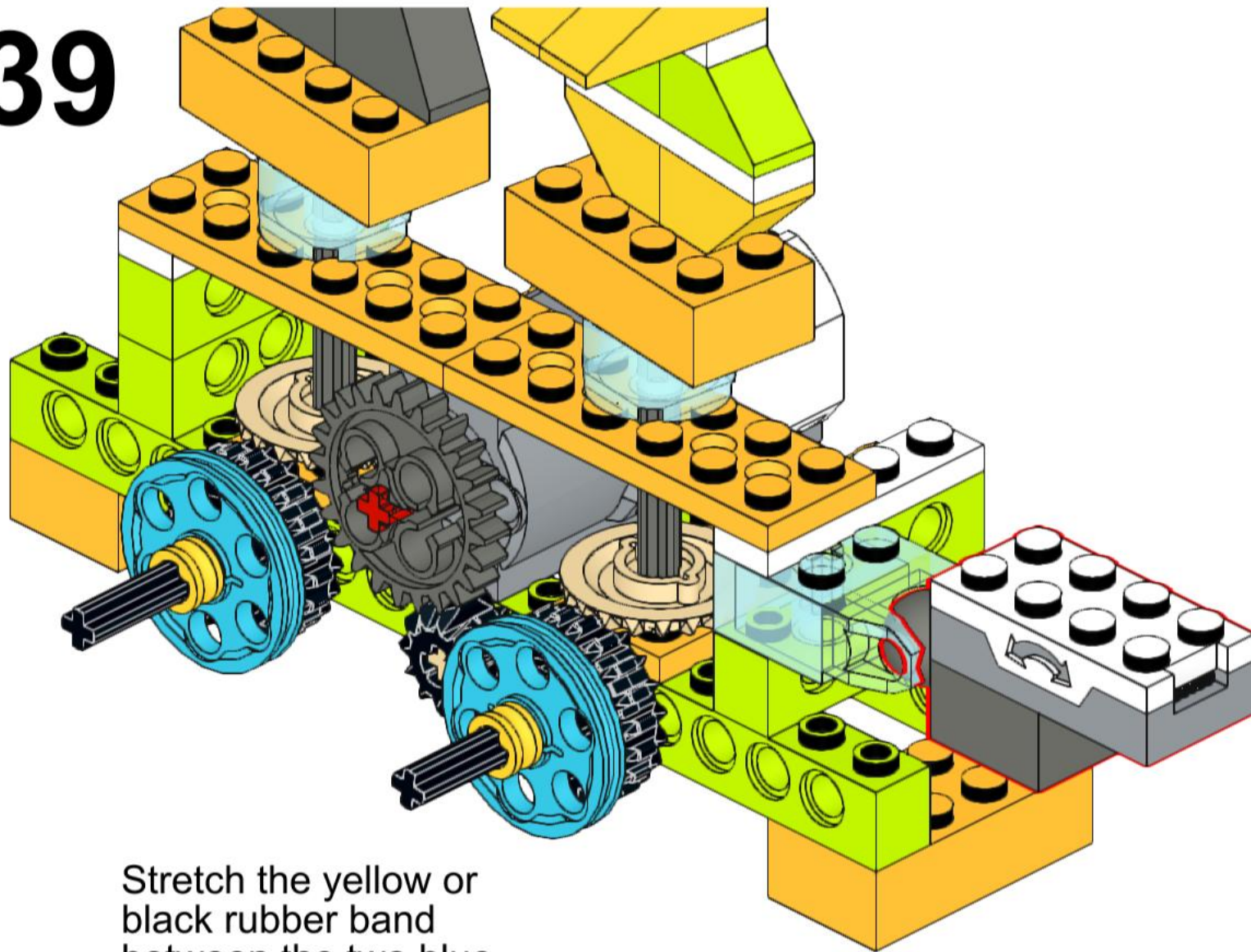




# 38



# 39



Stretch the yellow or black rubber band between the two blue wheels.