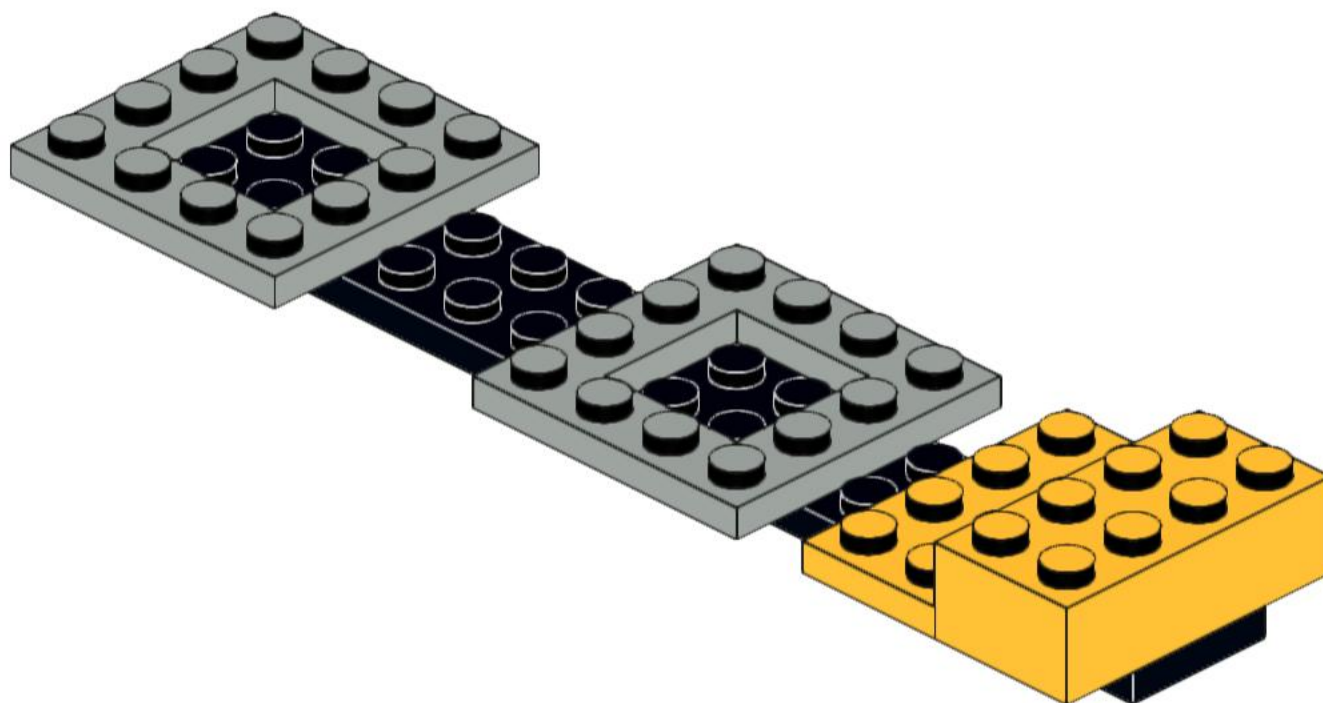
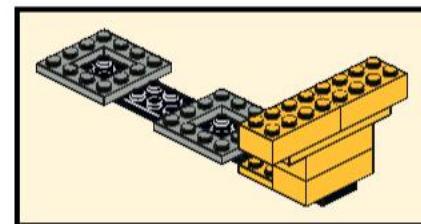
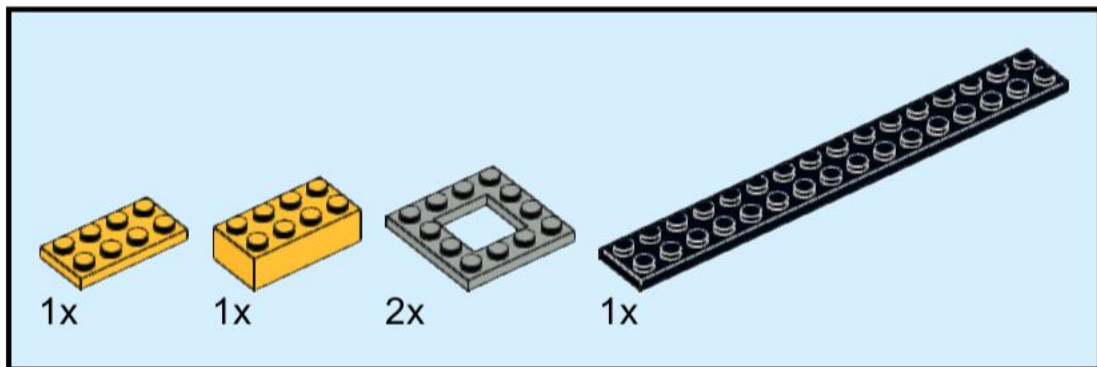
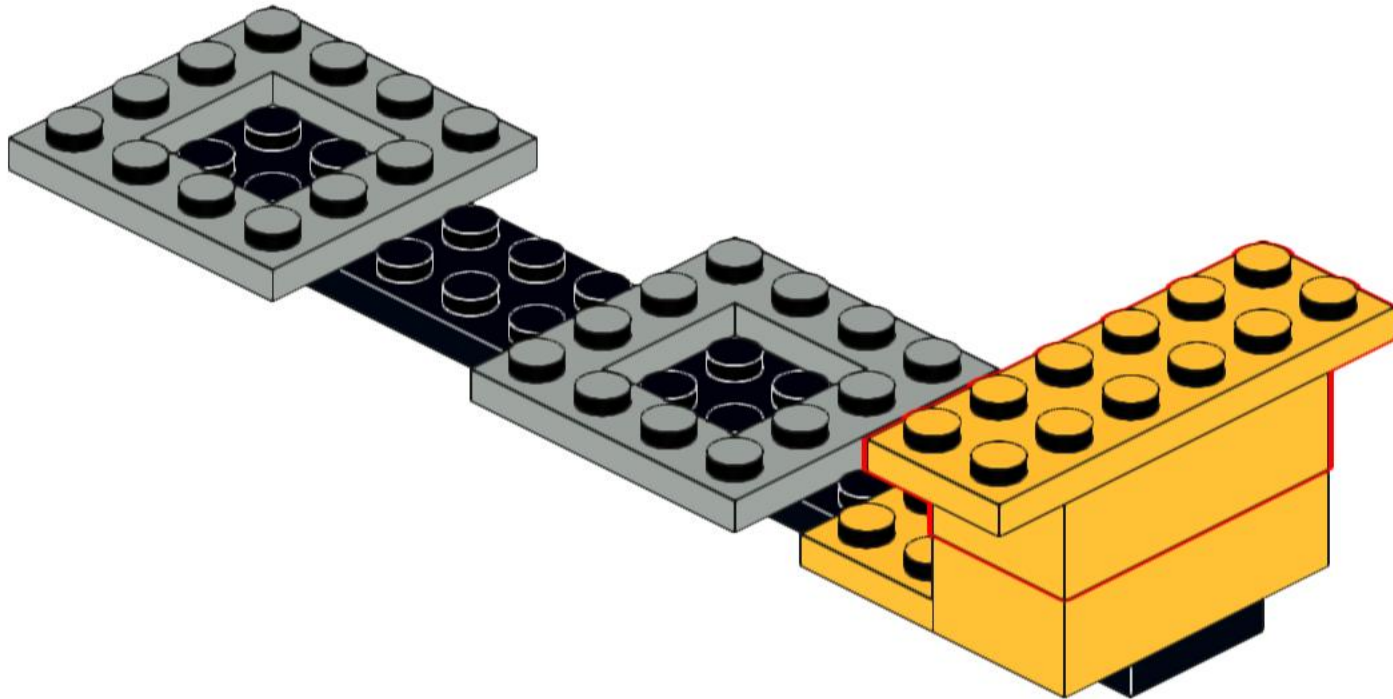
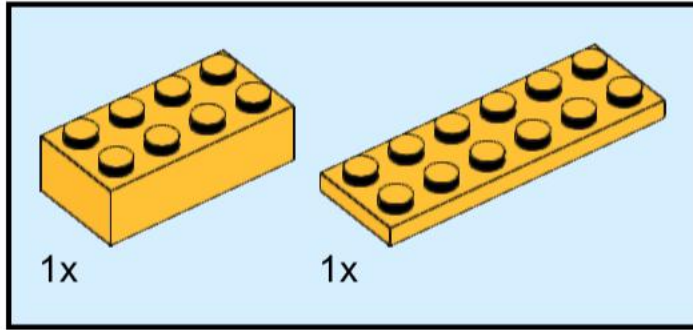


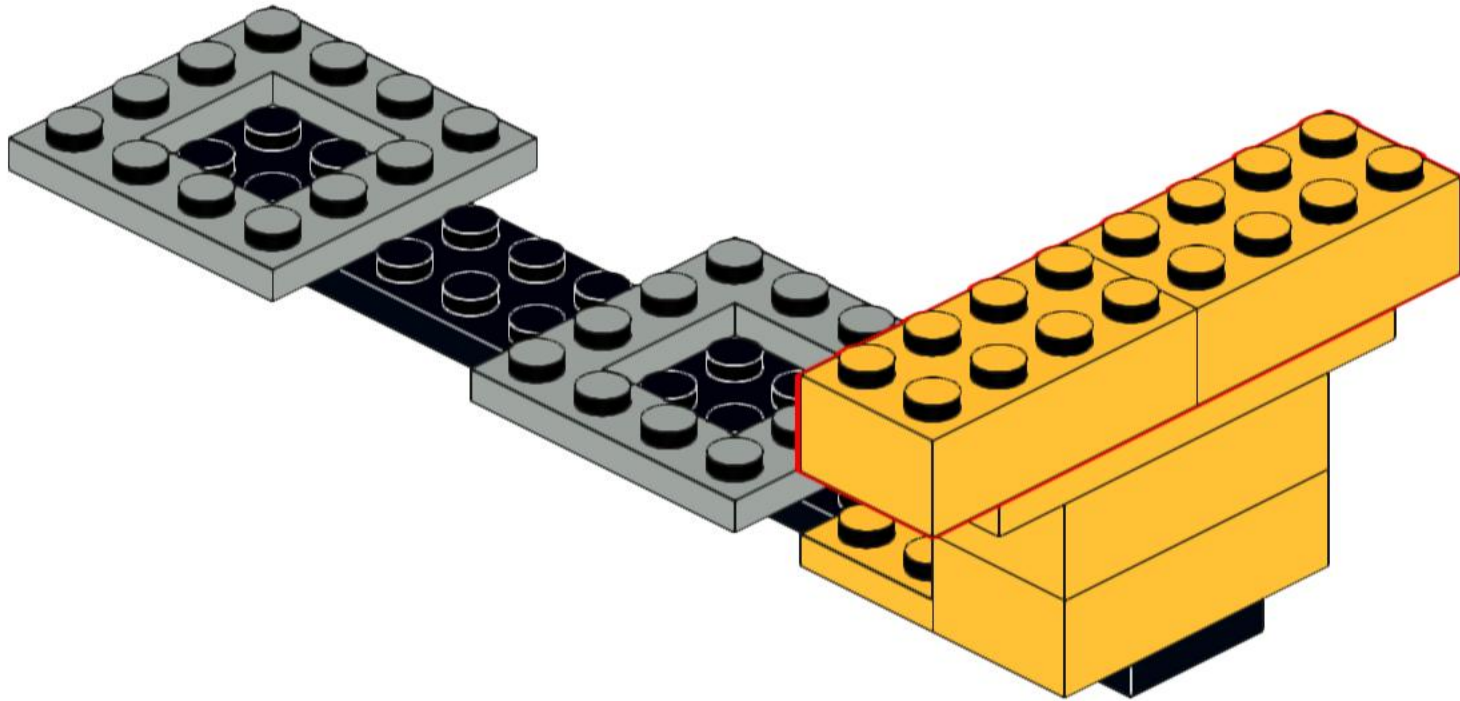
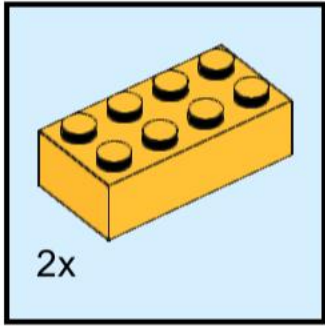
1



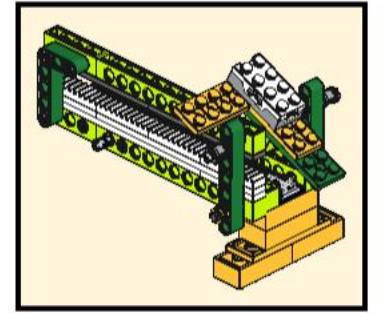
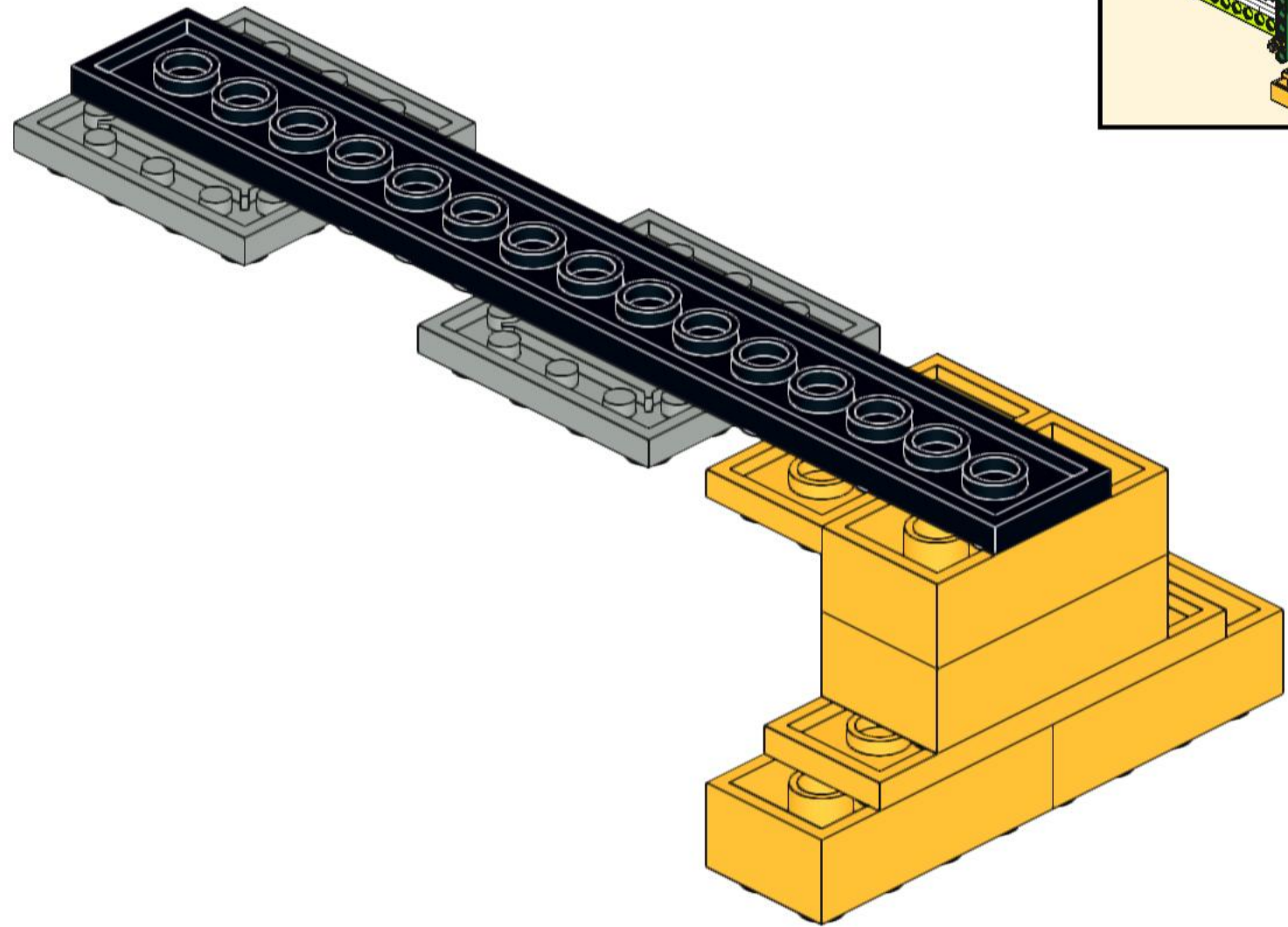
2



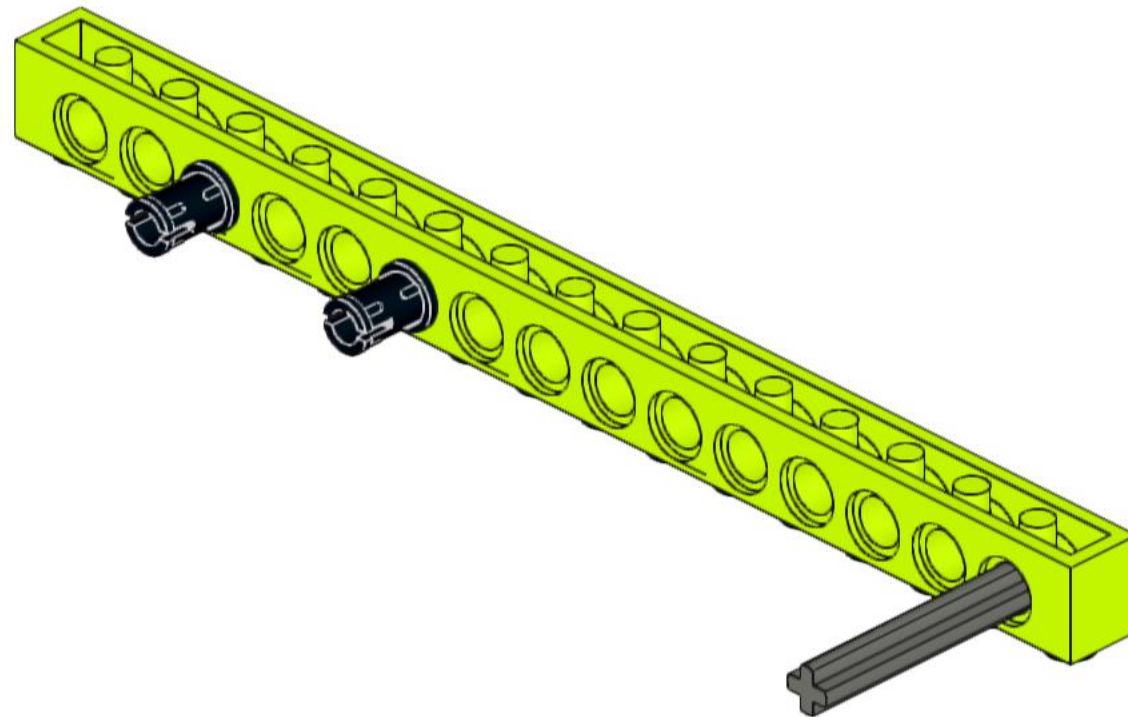
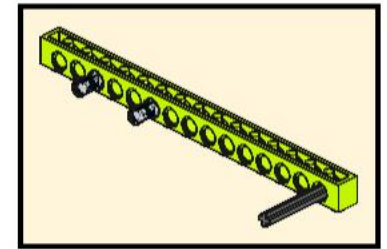
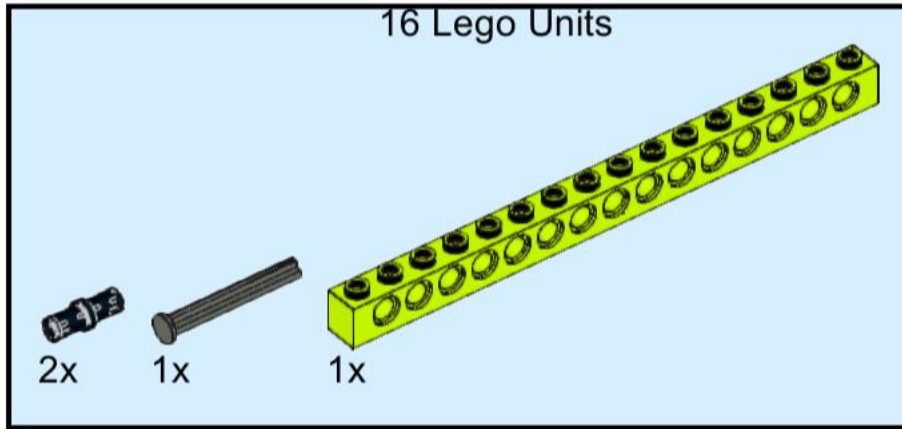
3



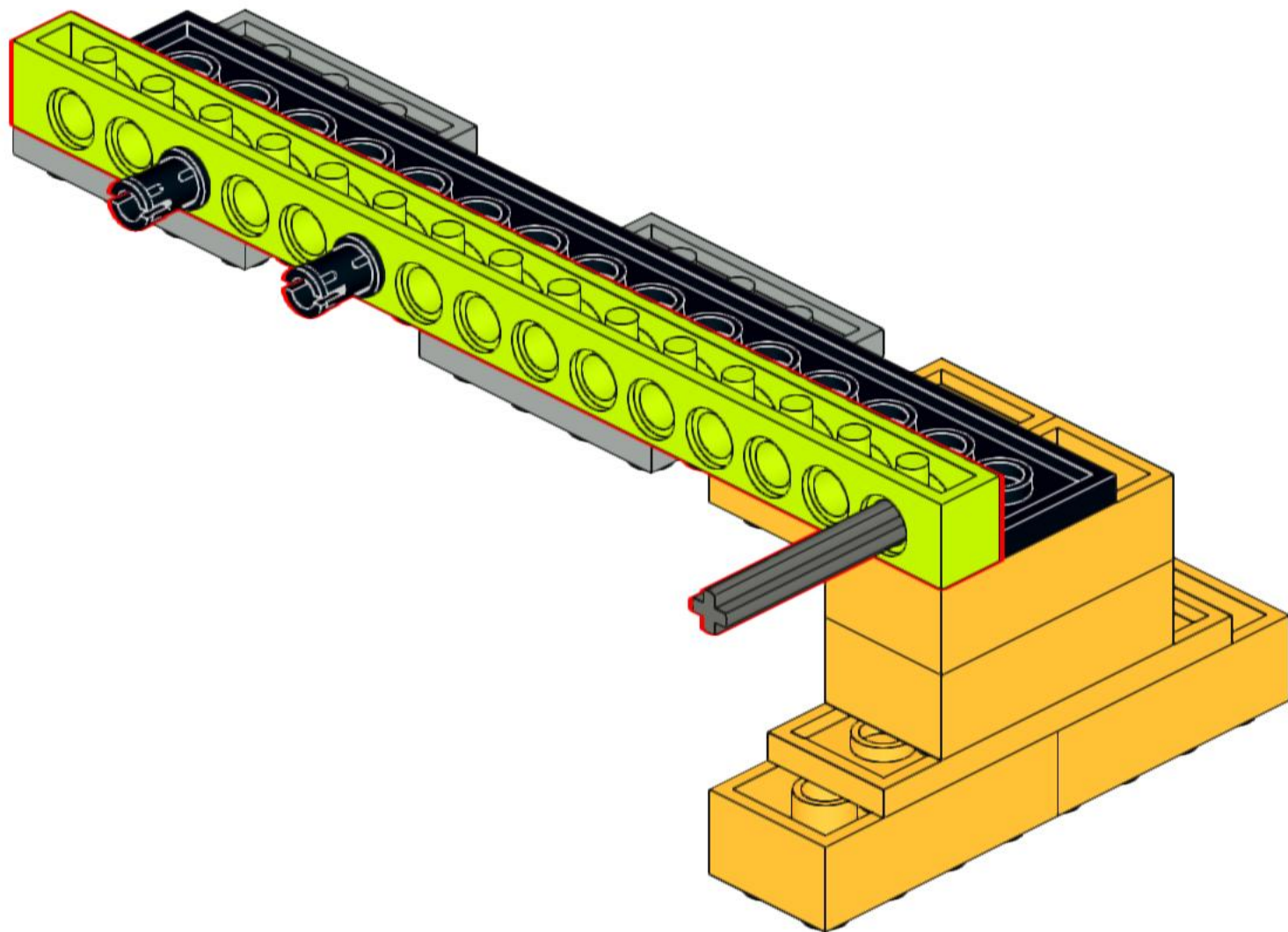
4



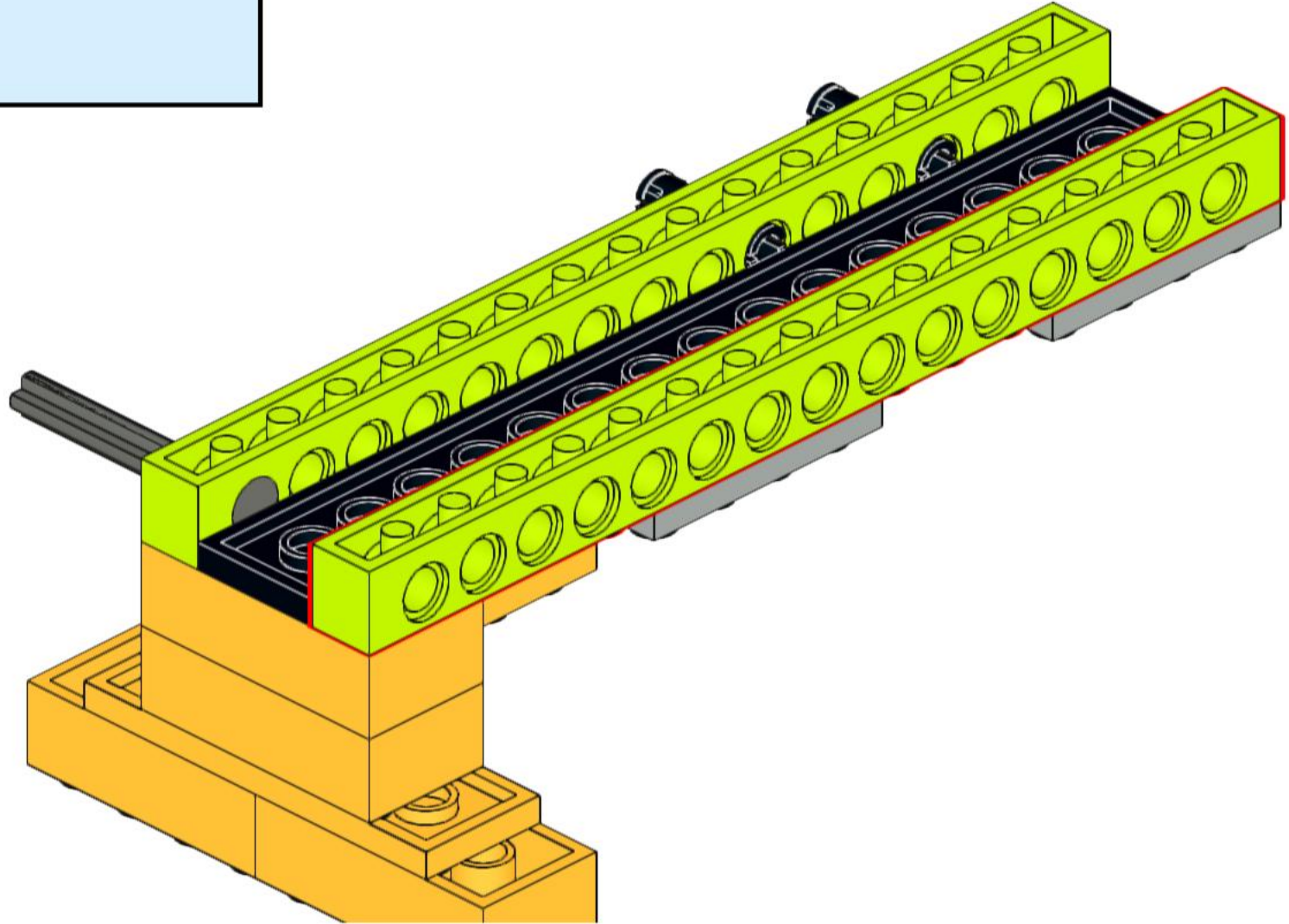
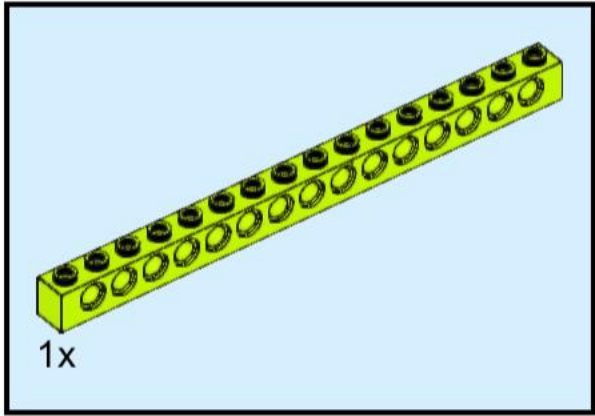
5



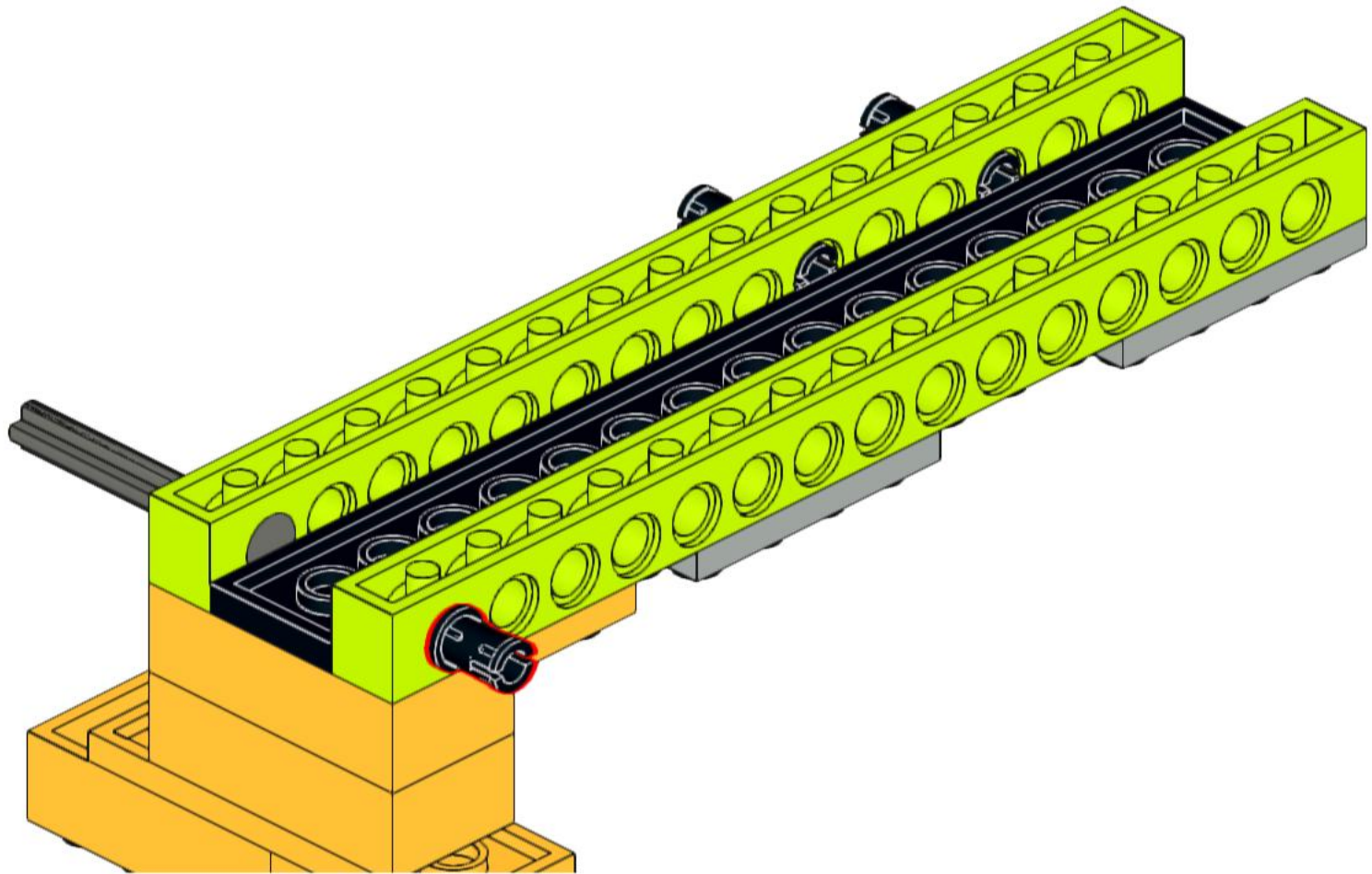
6



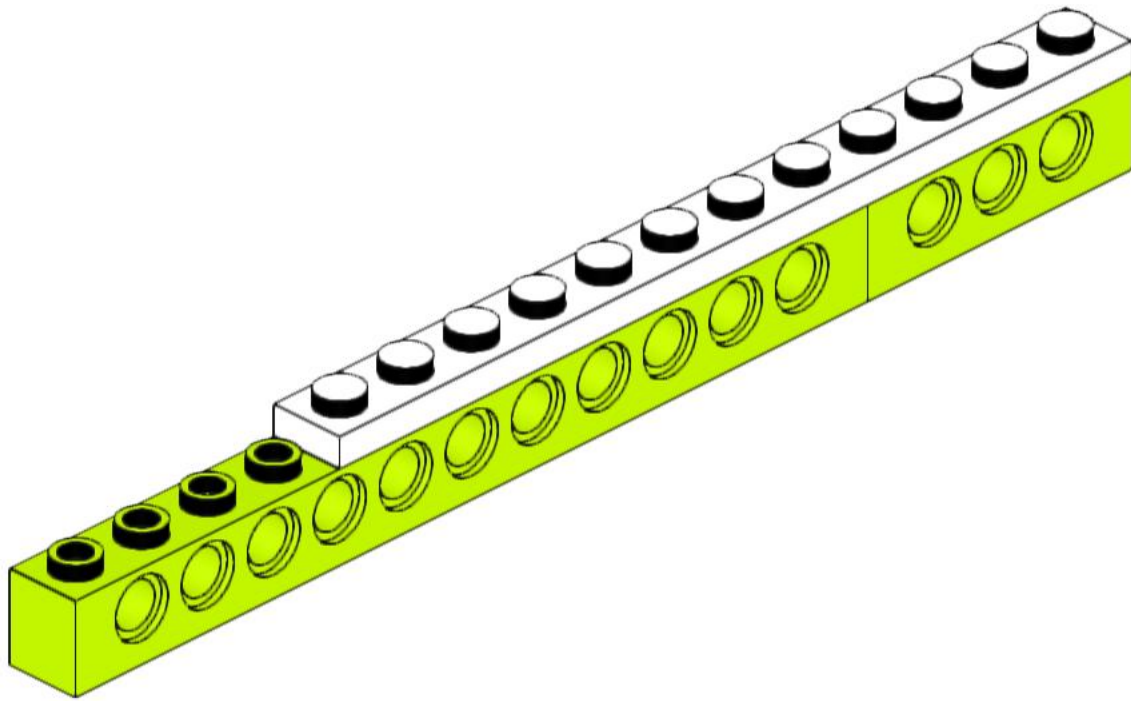
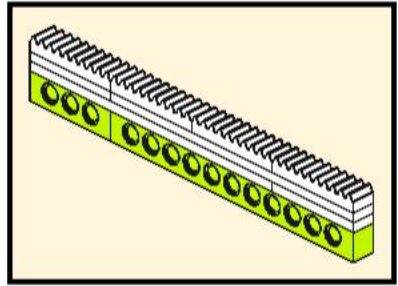
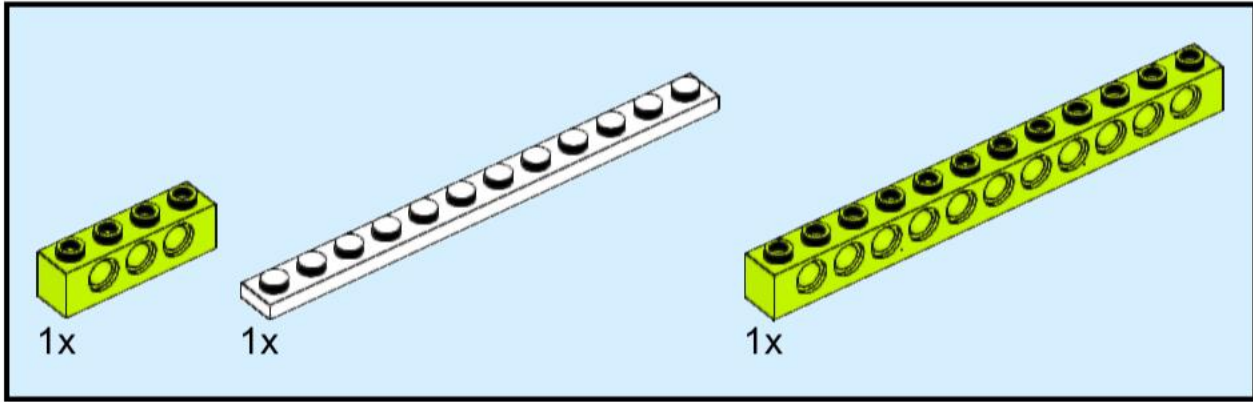
7



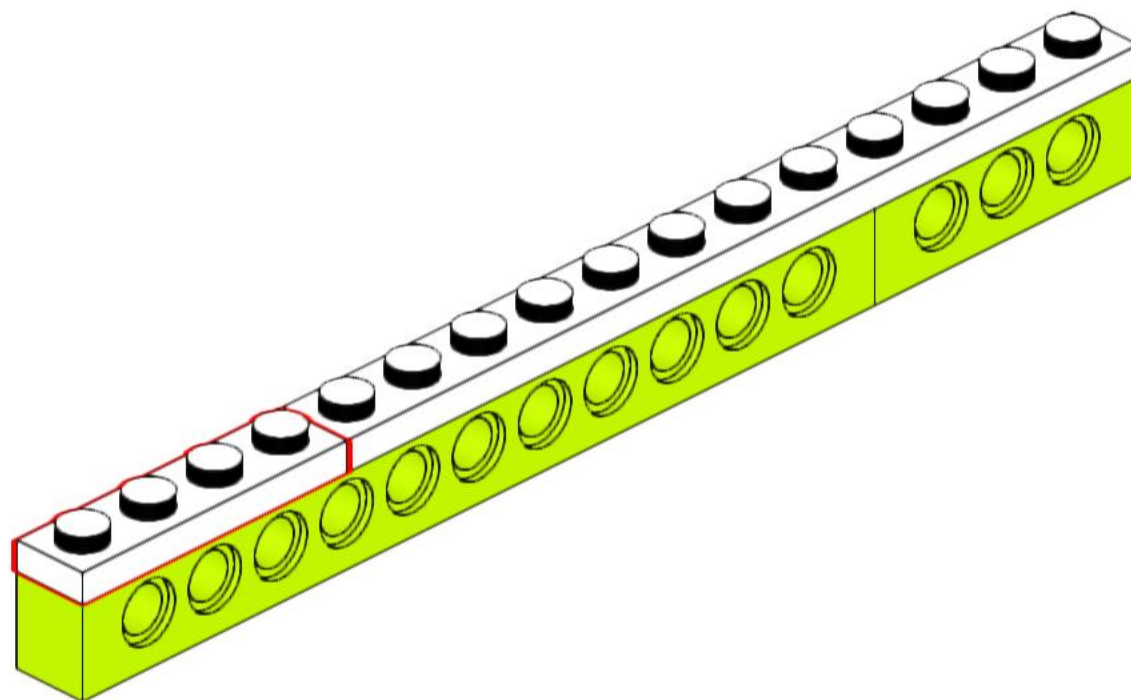
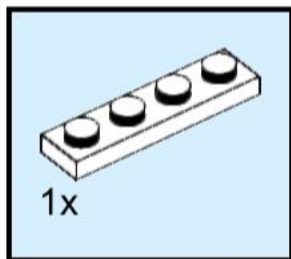
8



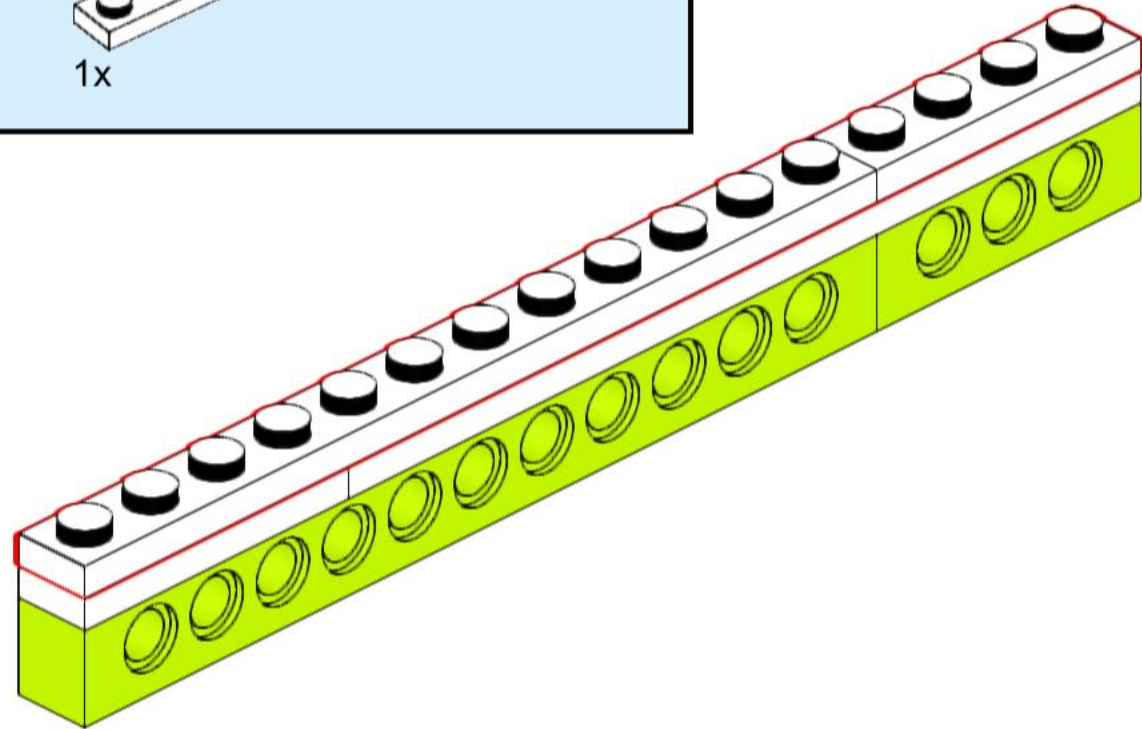
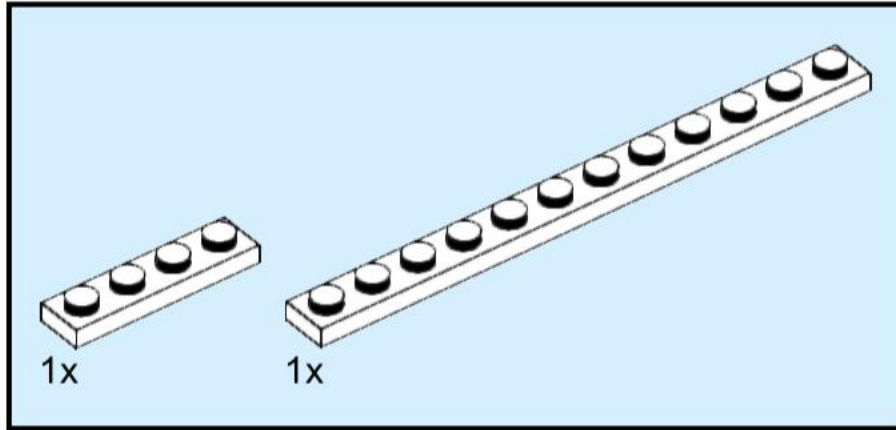
9



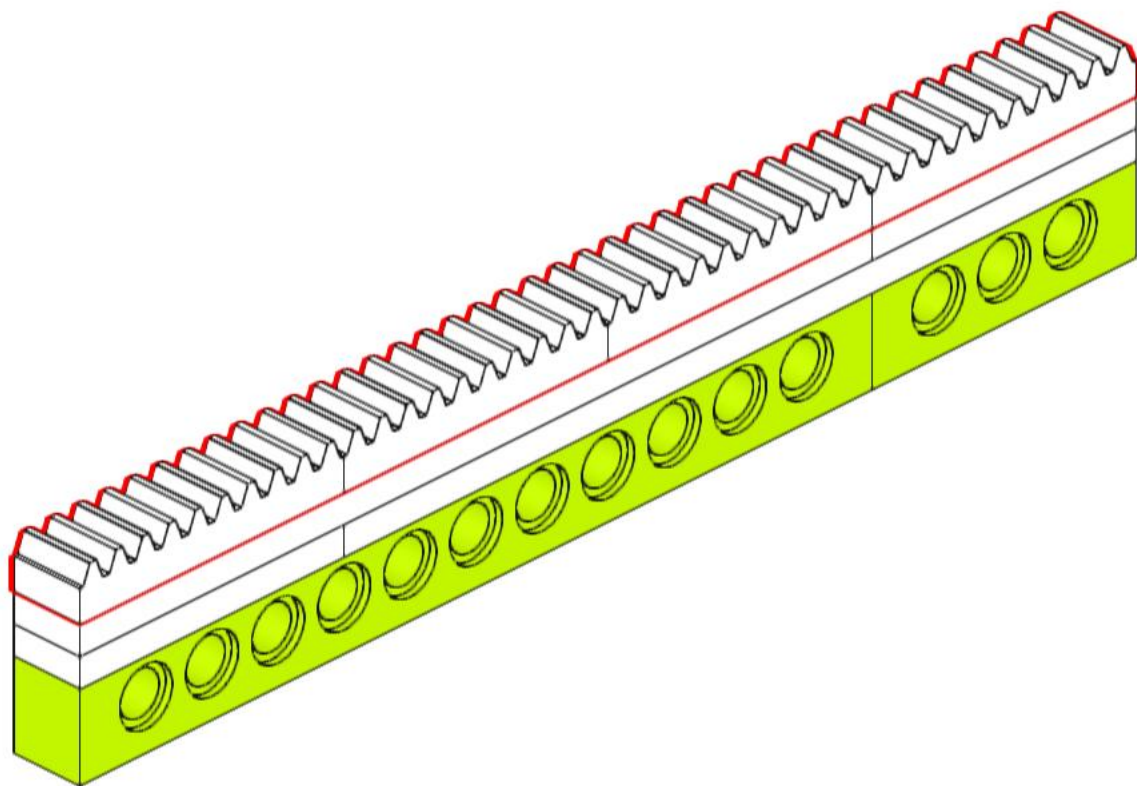
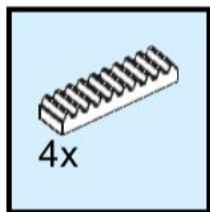
10



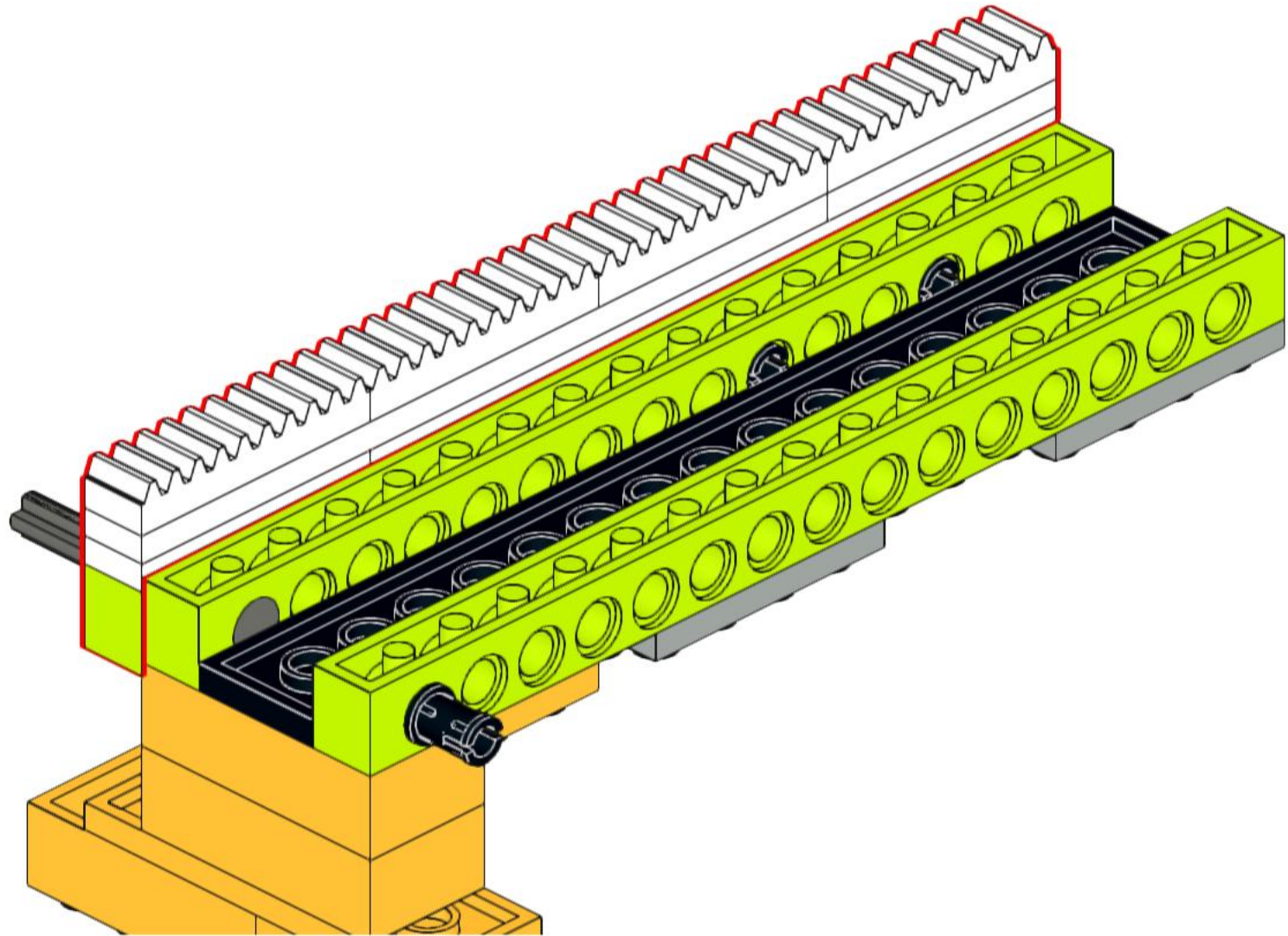
11



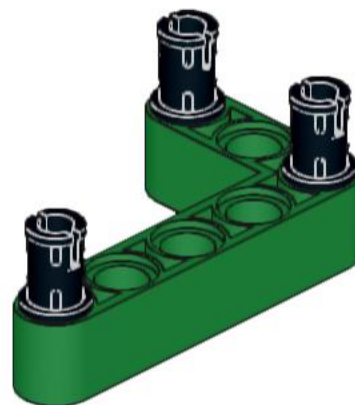
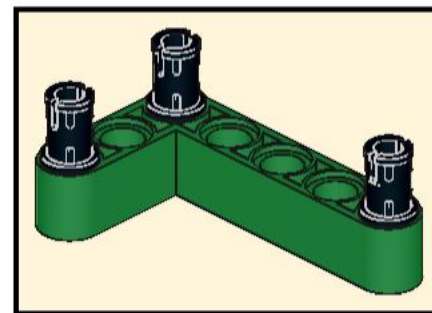
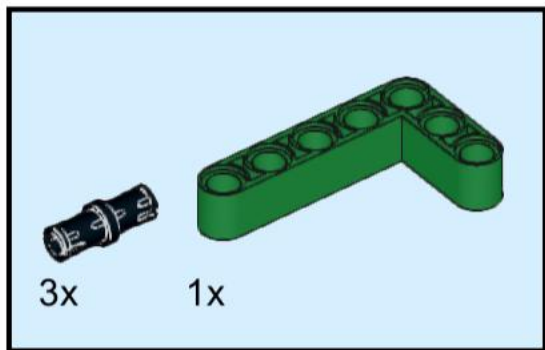
12



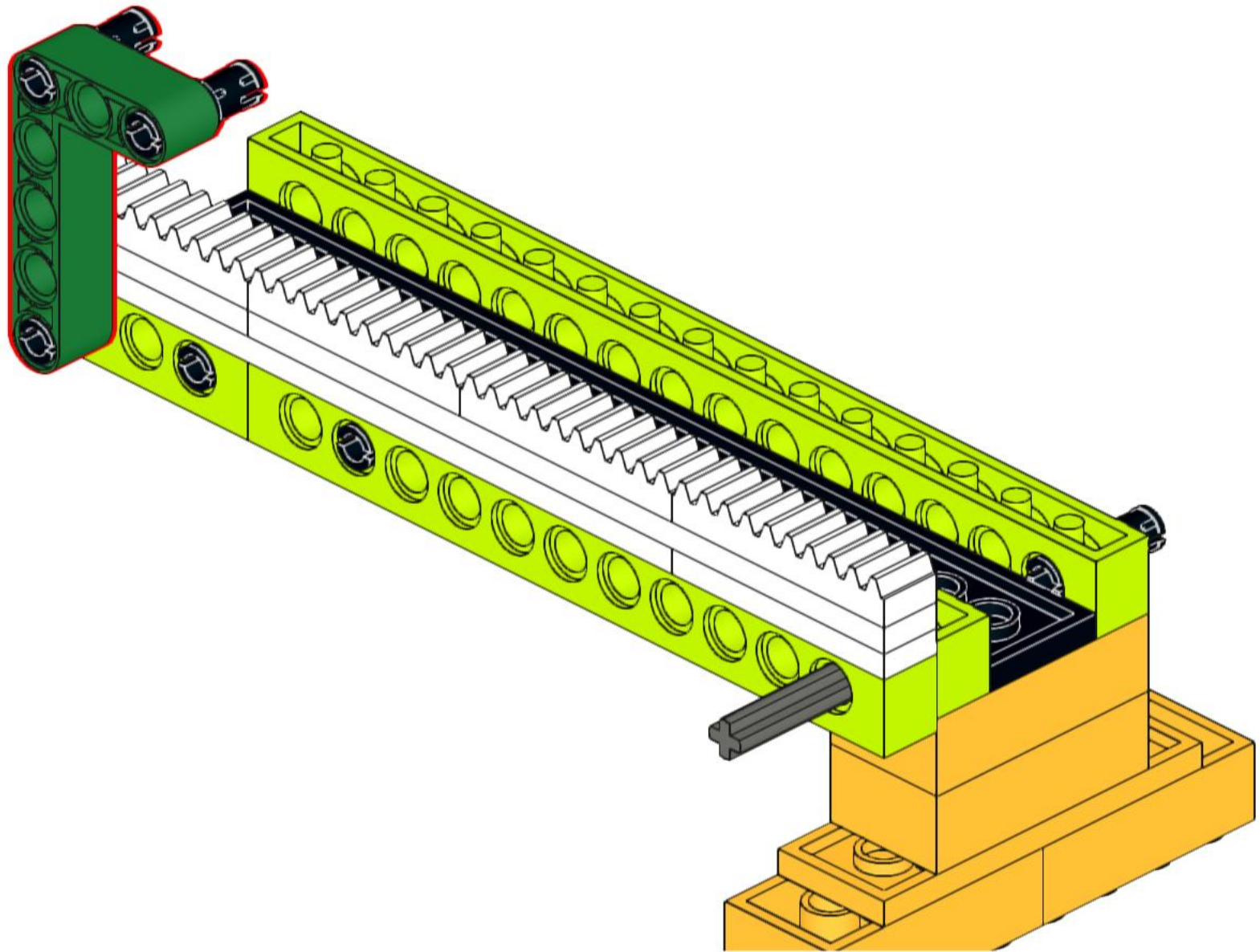
13



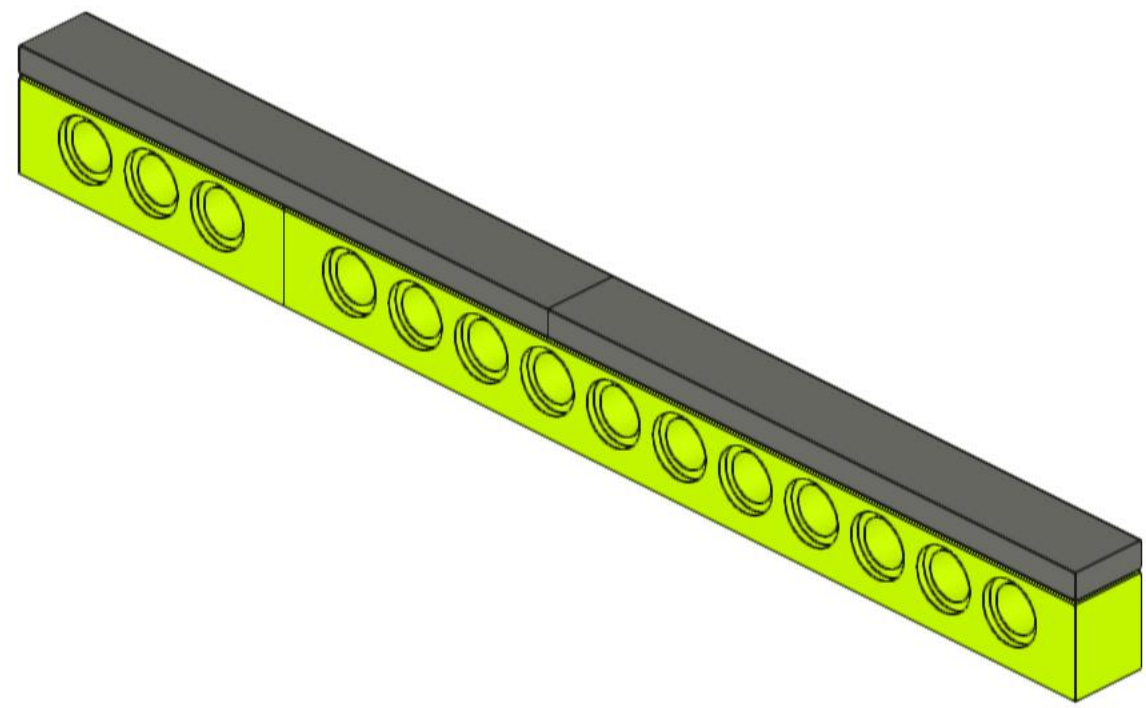
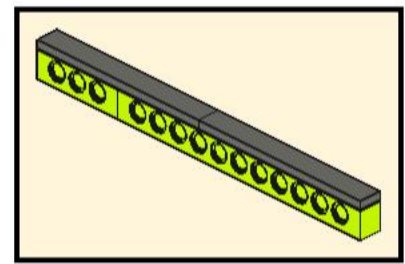
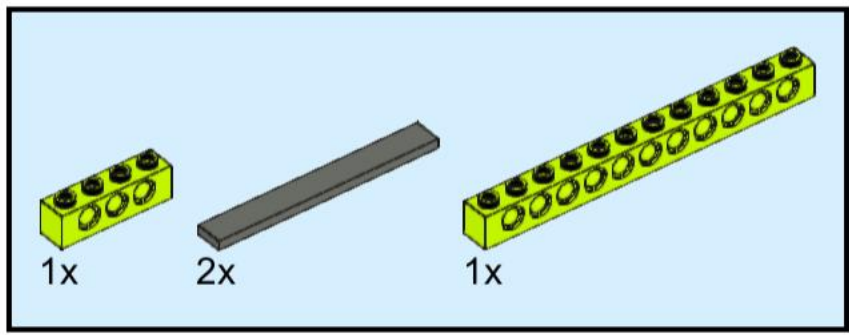
14



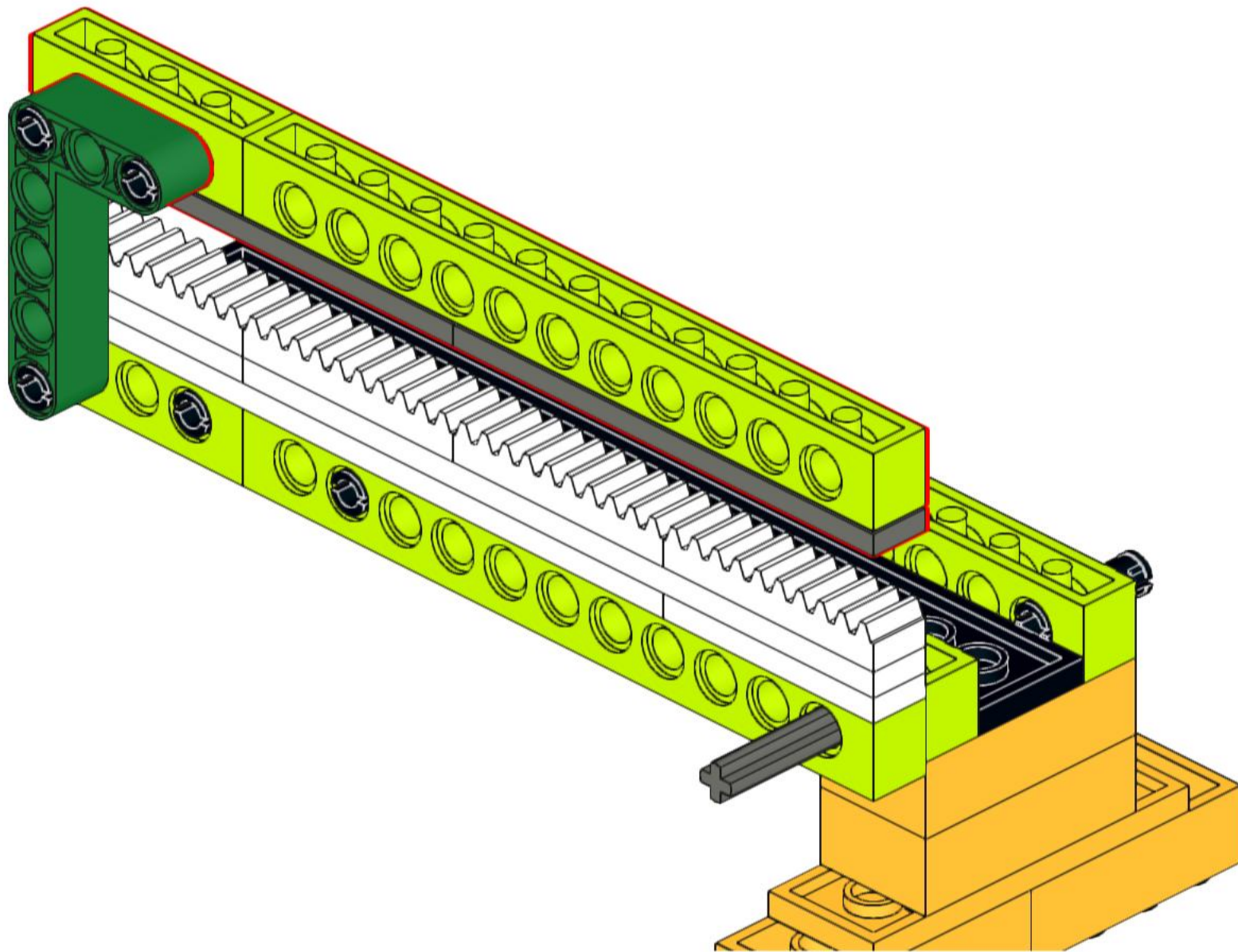
15



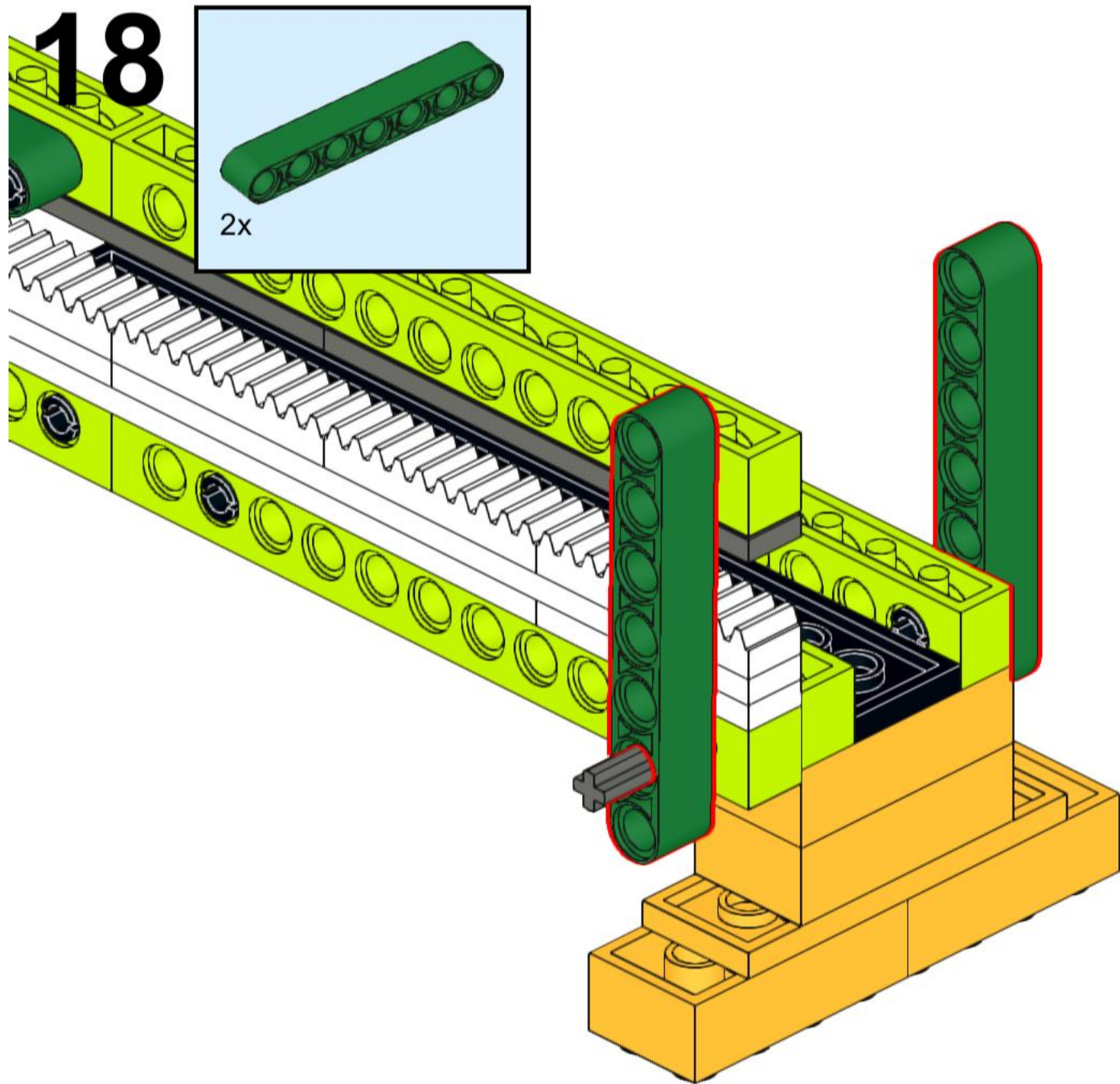
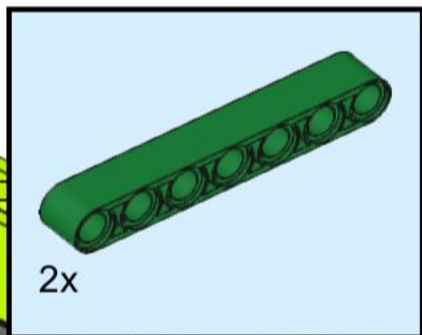
16



17



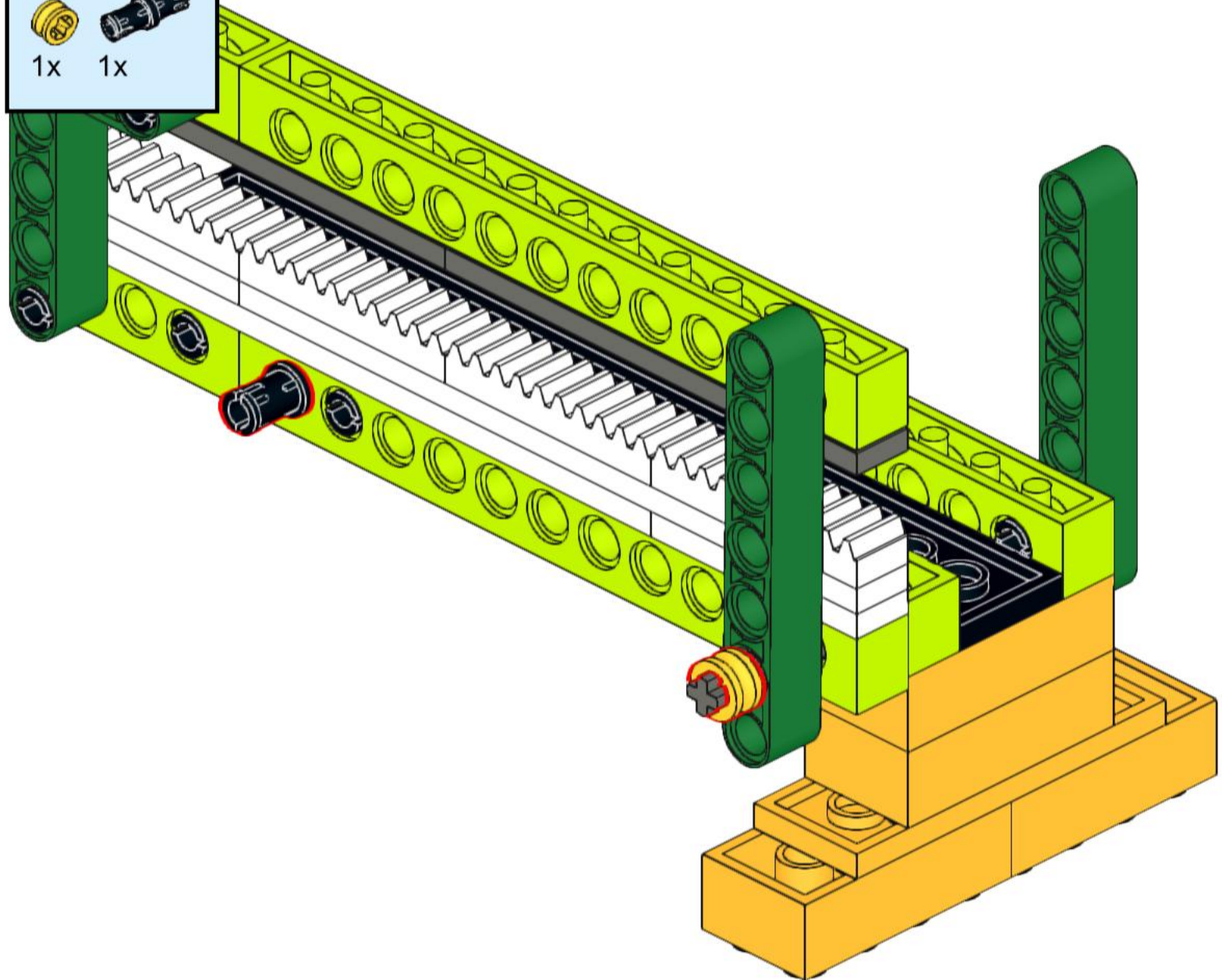
18



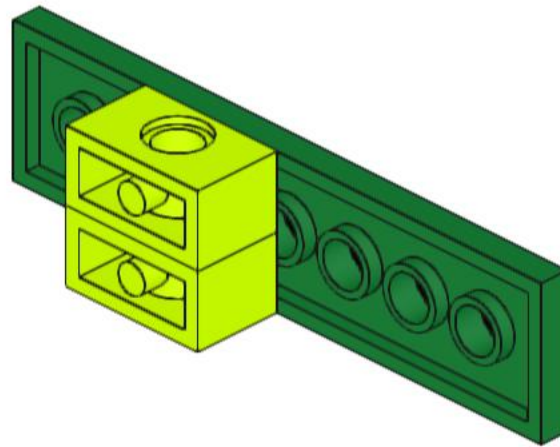
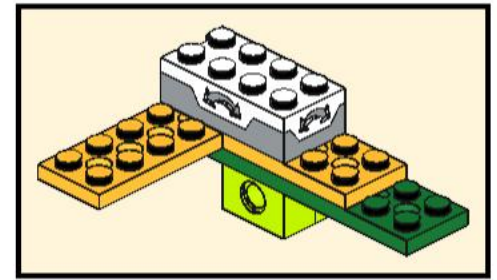
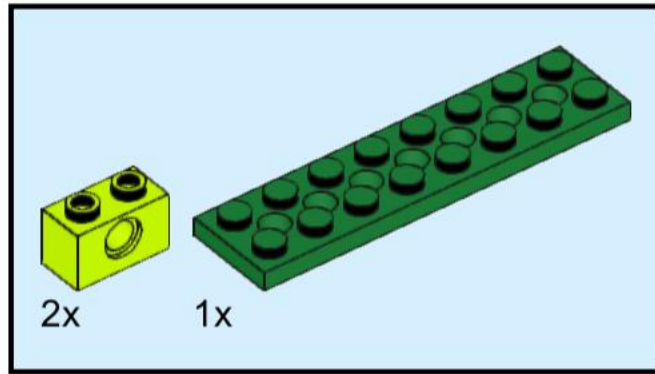
19



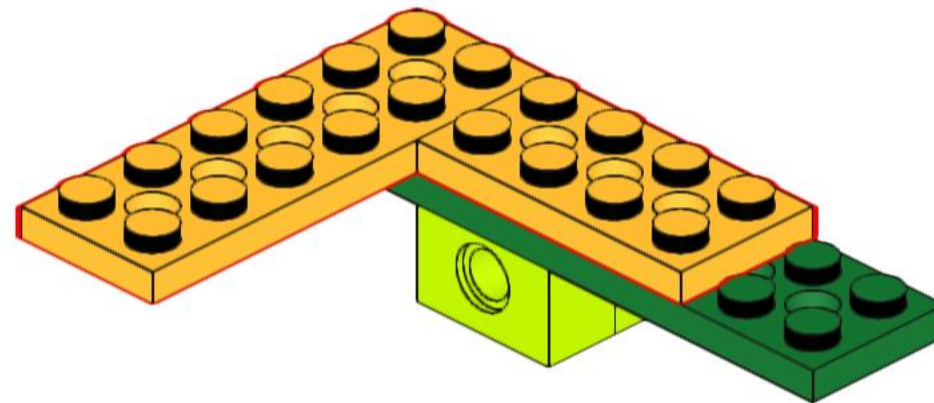
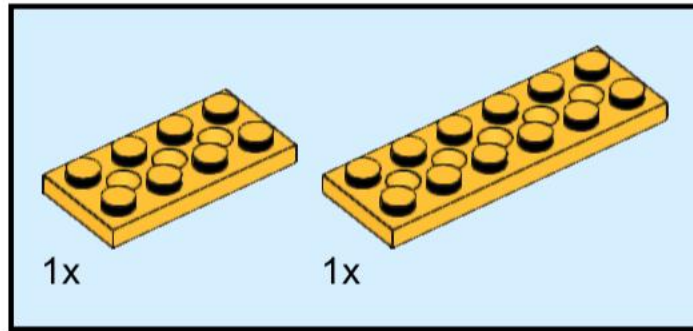
1x  1x 



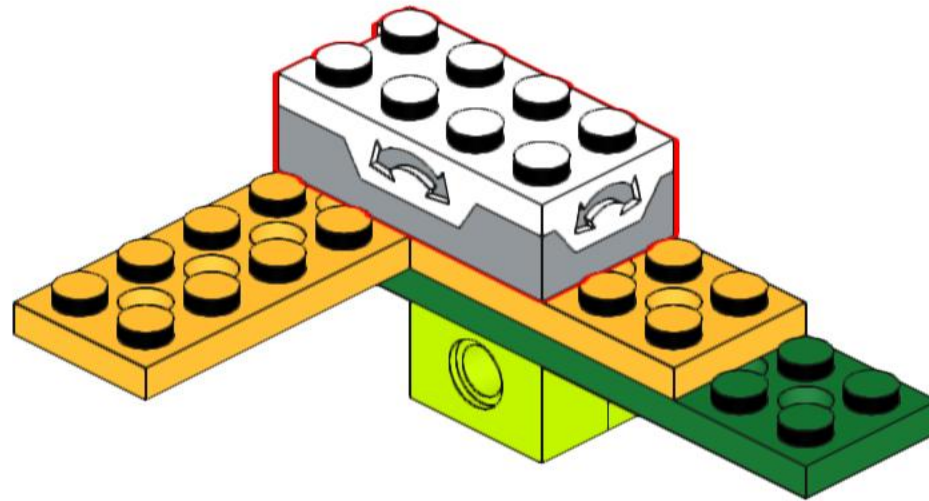
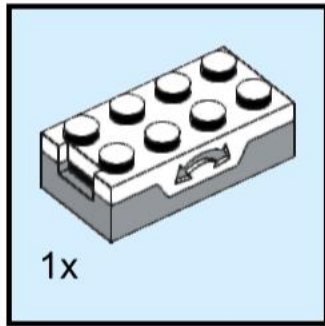
20



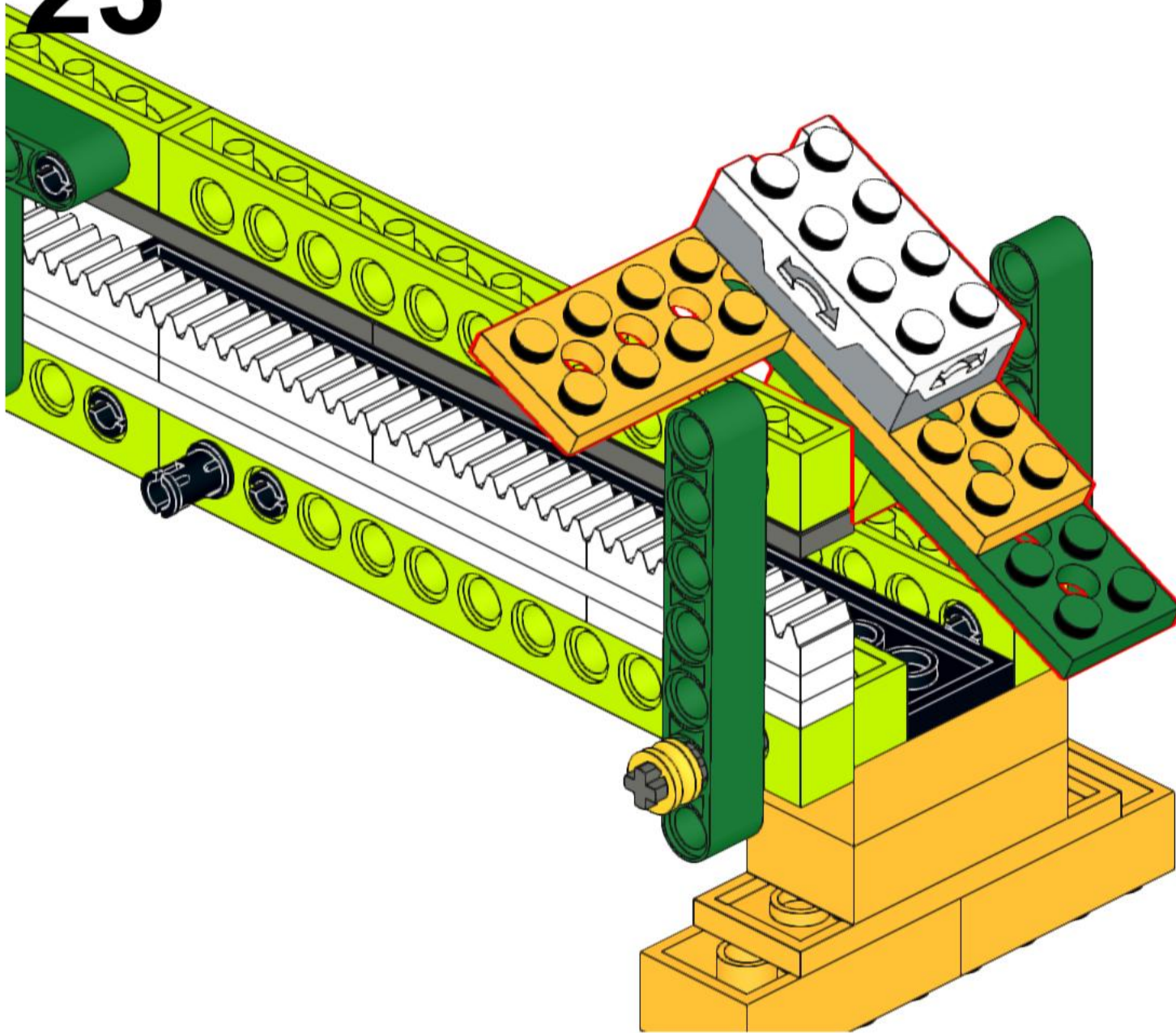
21



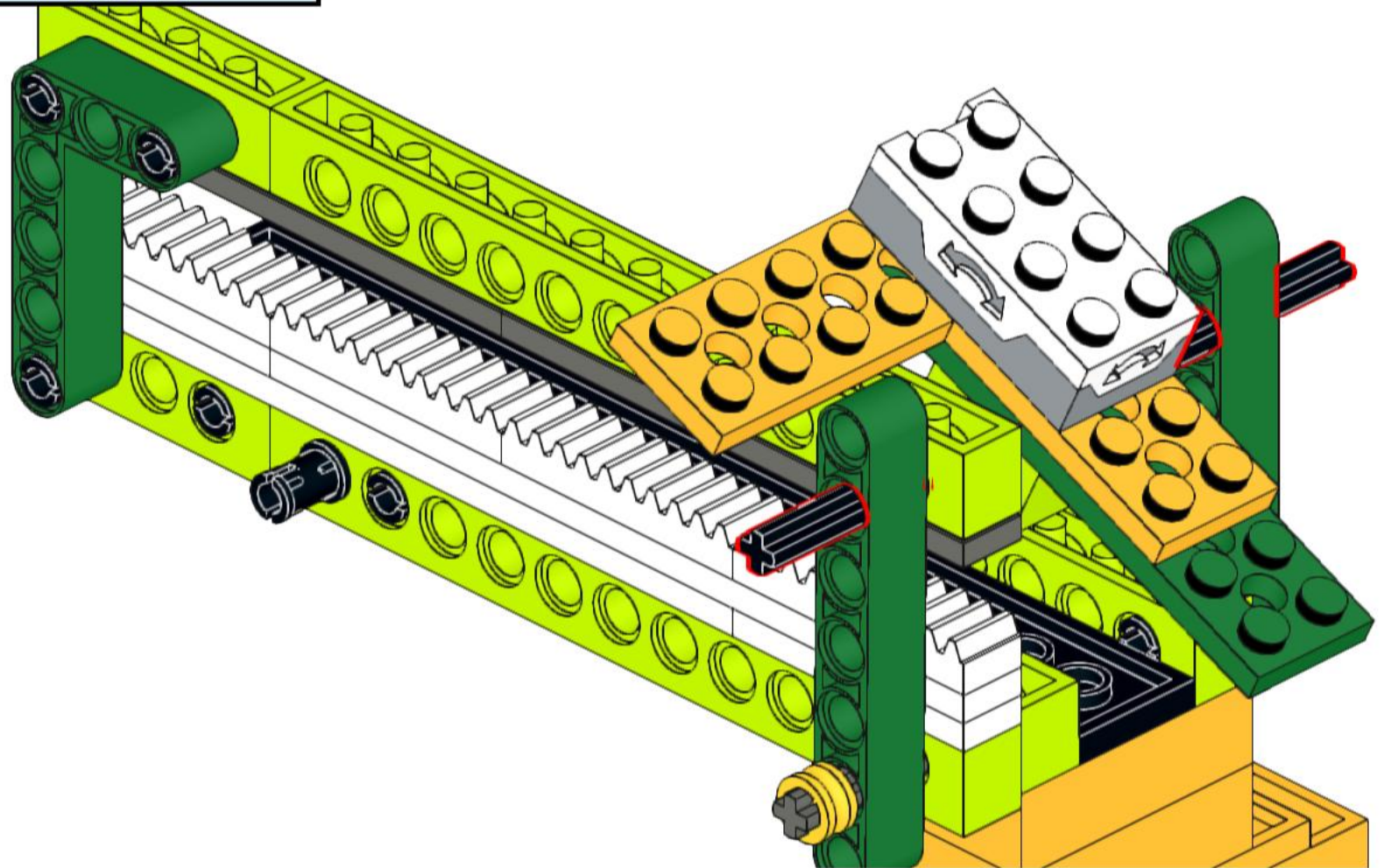
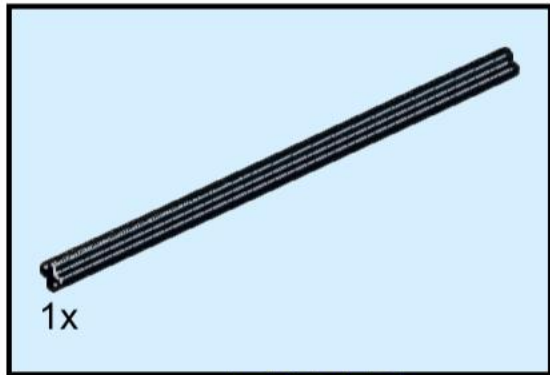
22



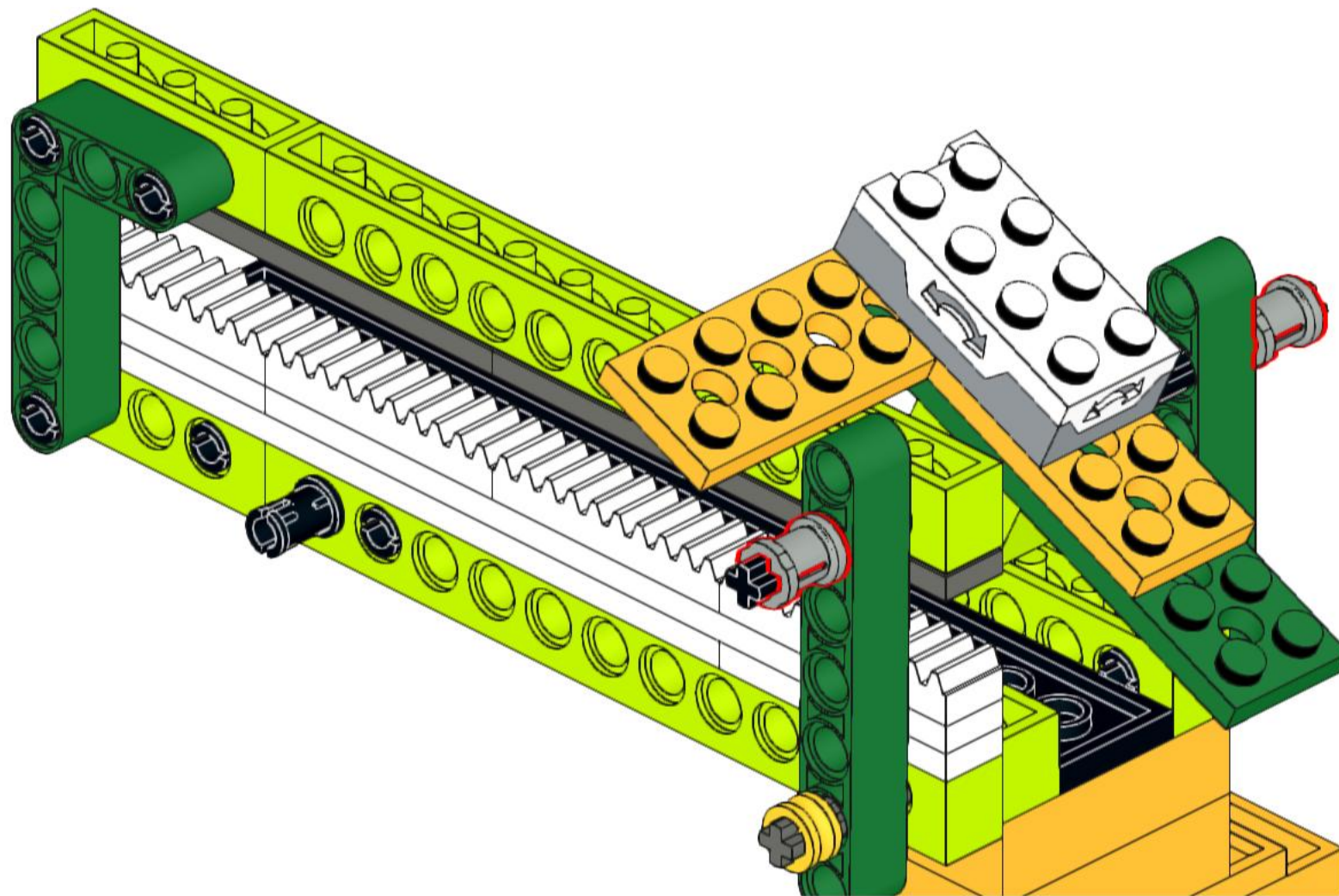
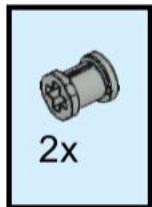
23



24

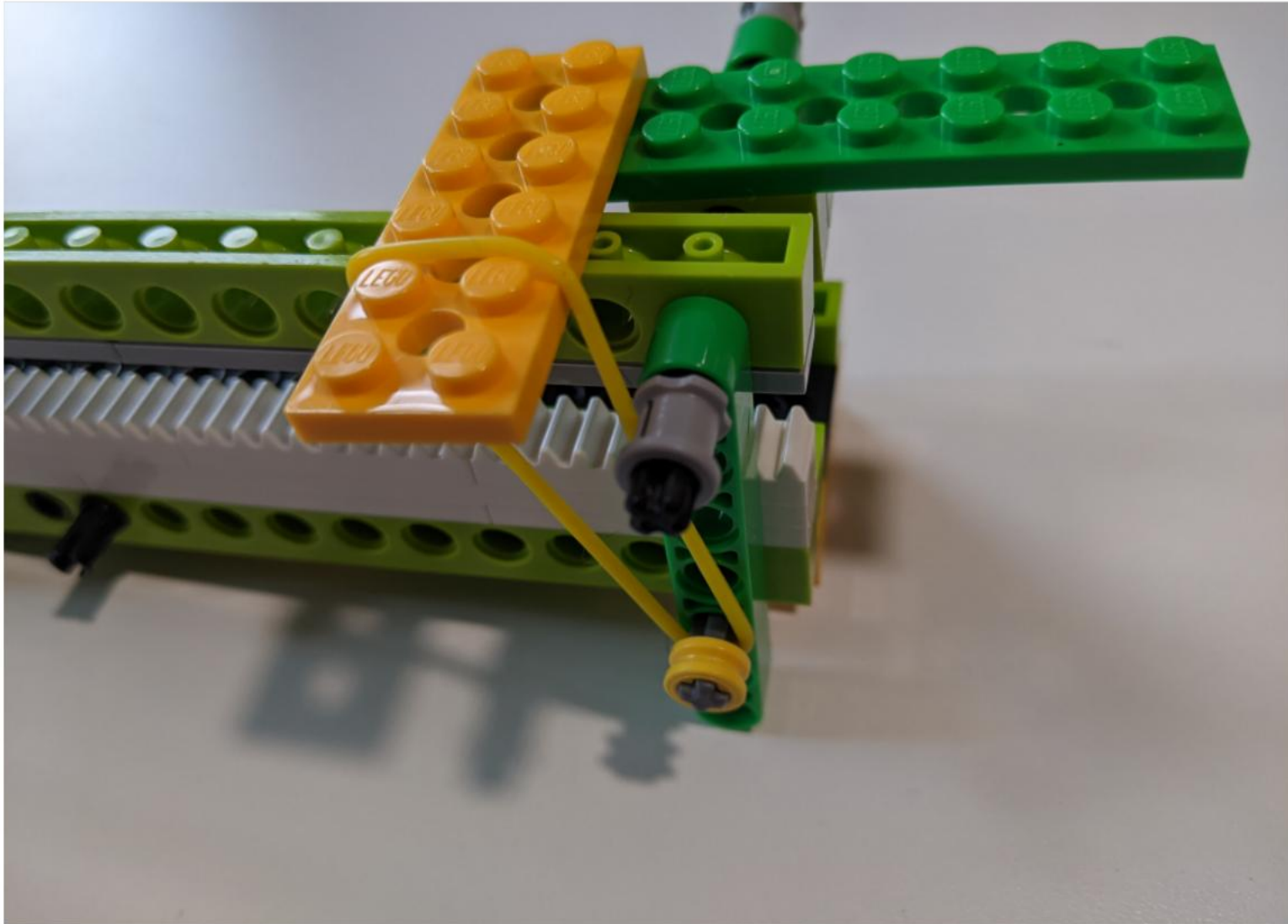


25

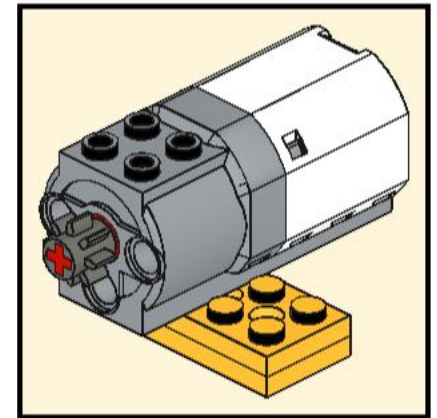
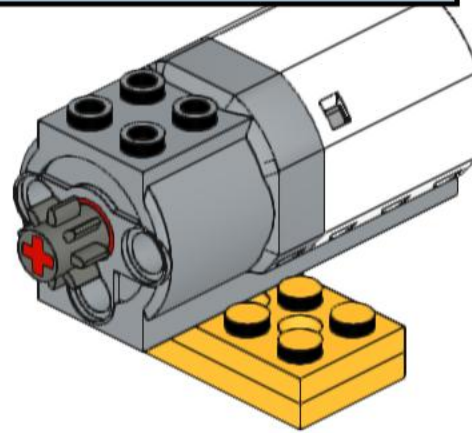
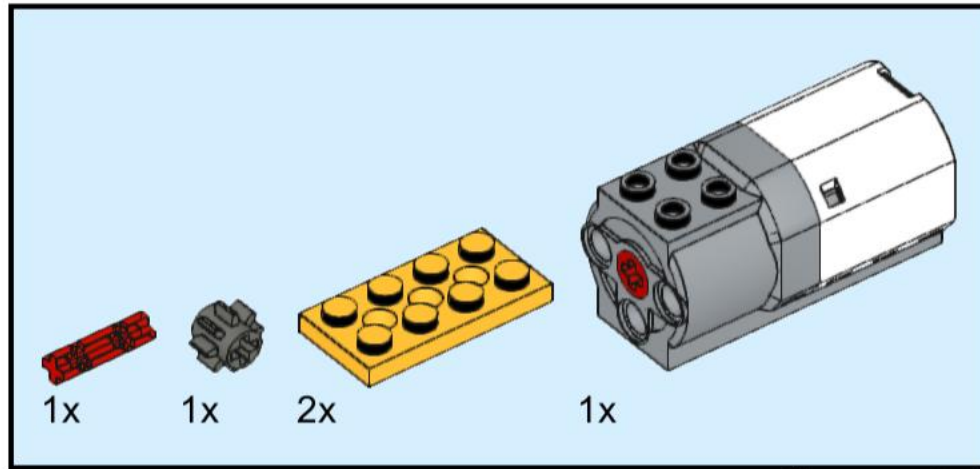


26

Fit the rubber band like this so the lever snaps back to the "up" position.

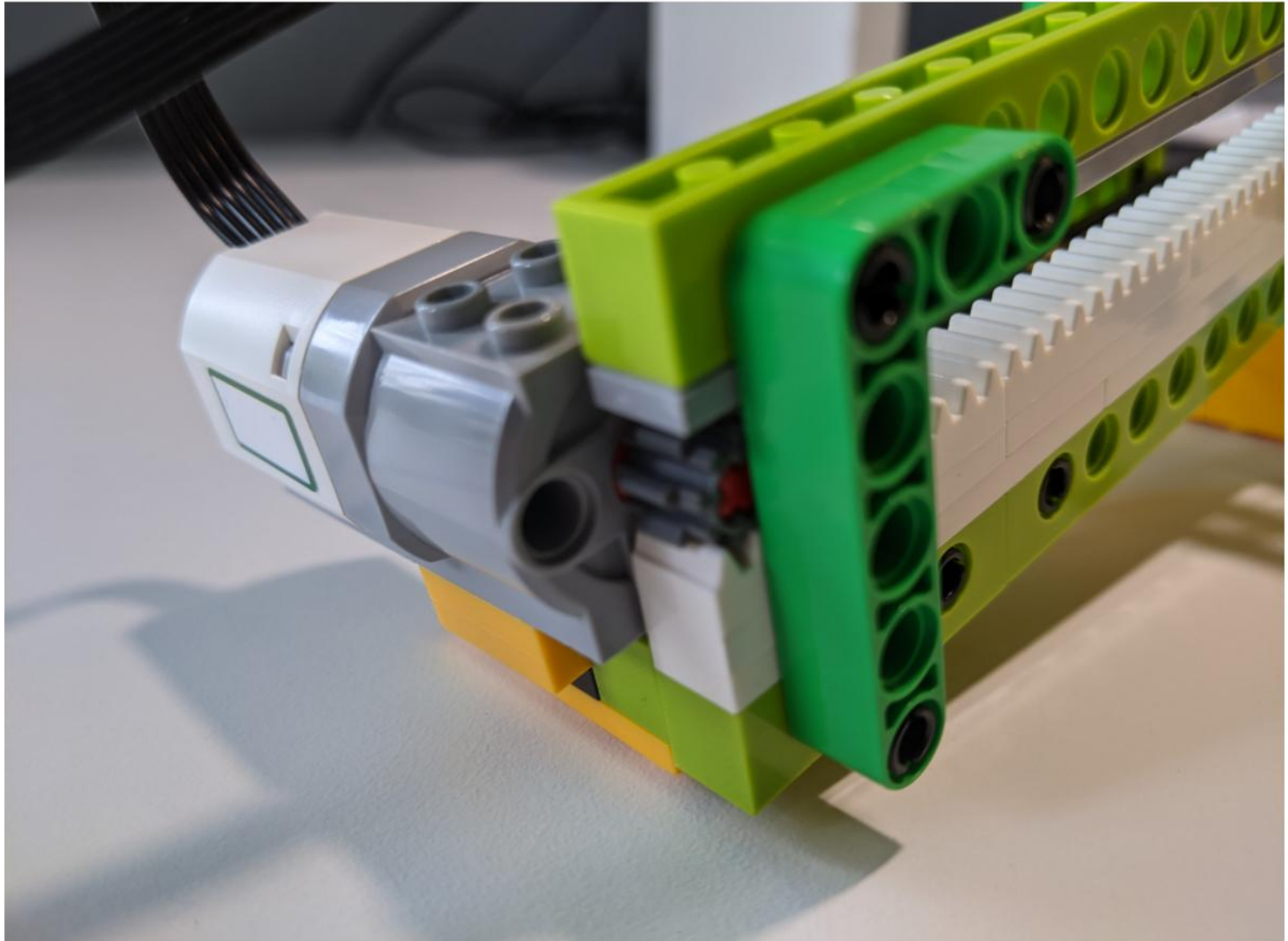


27

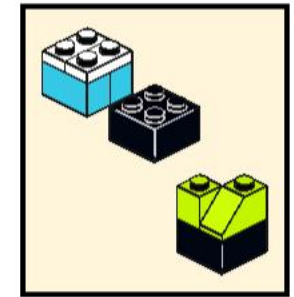
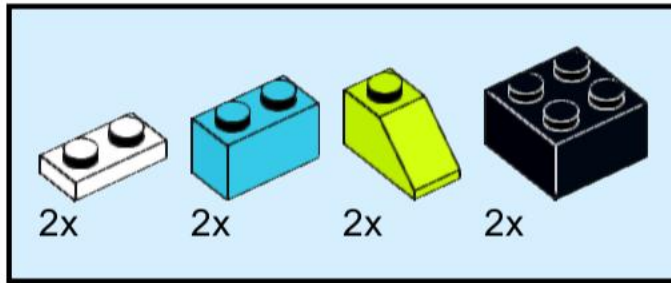


28

Tip the motor assembly up and sneak it in so the gear is on the tooth track.
If this is hard, then take off the dark green upside-down L. That will free the upper rail.



29



Make 6 pieces of Lego animal food. Make them however you think looks yummy. Each should be just 2 x 2 Lego Units.

Slide the food onto the feeder to load it up!
Then write your program to give the animals a piece of food when they pull the lever.

